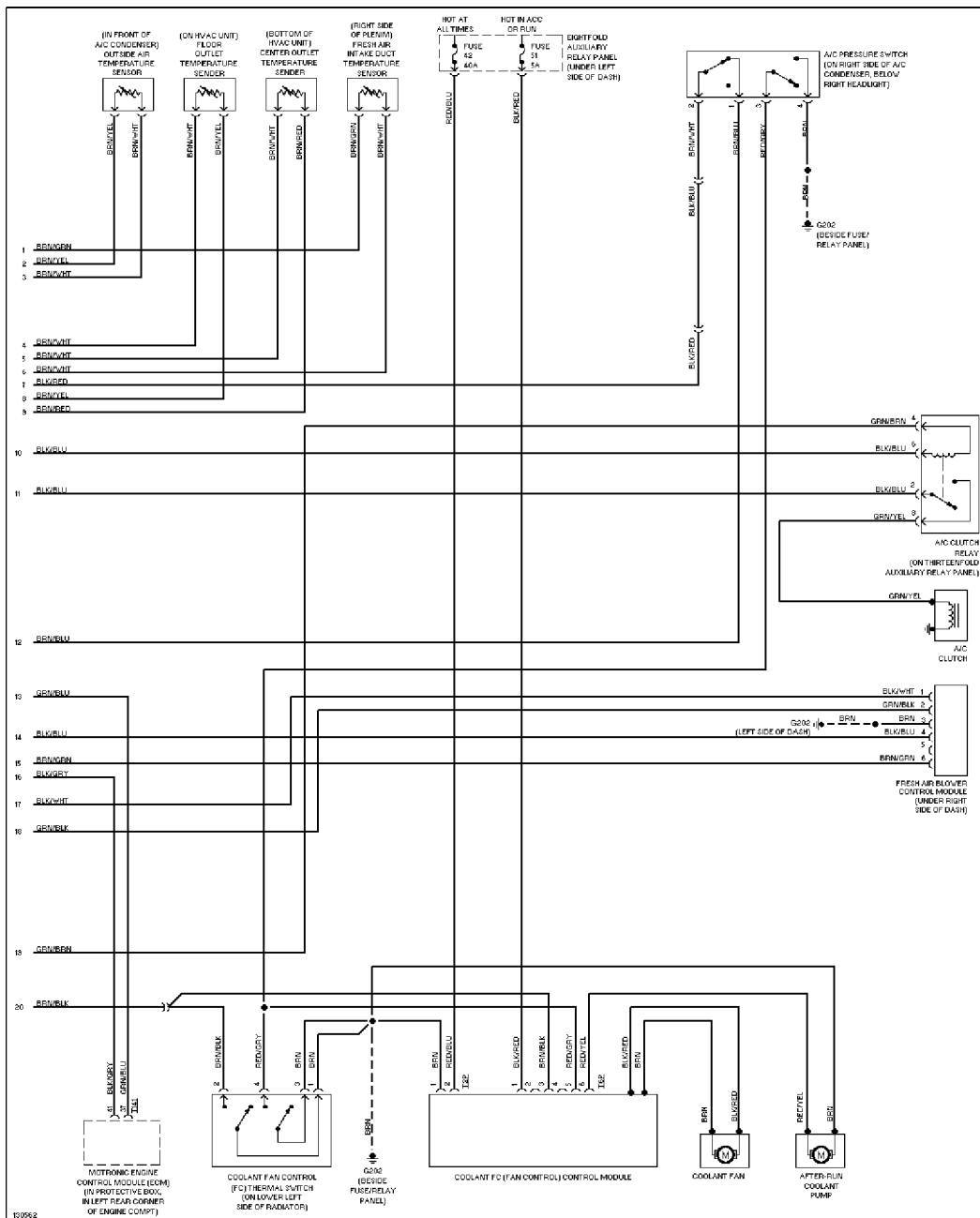
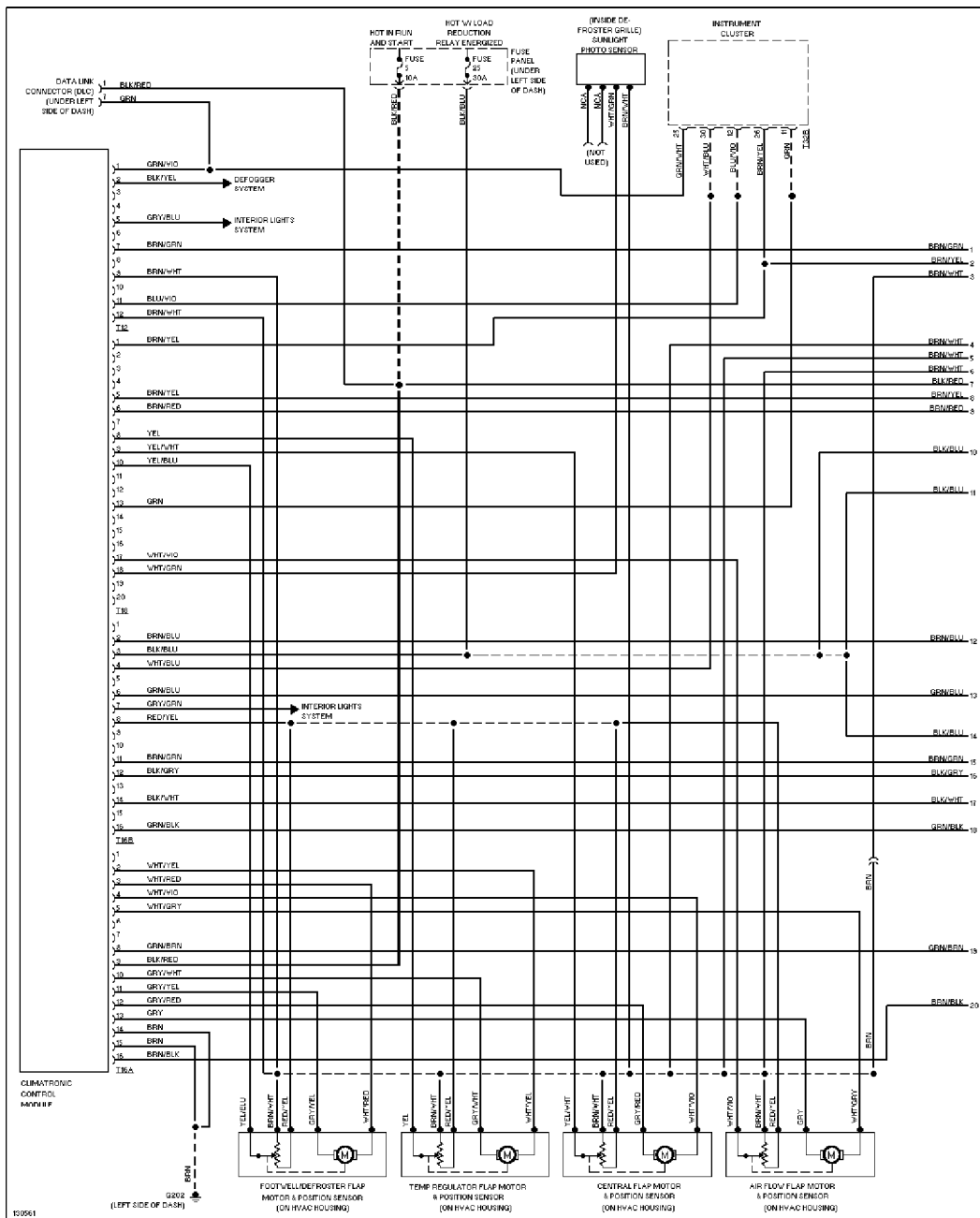


Automatic A/C Circuit (1 of 2)

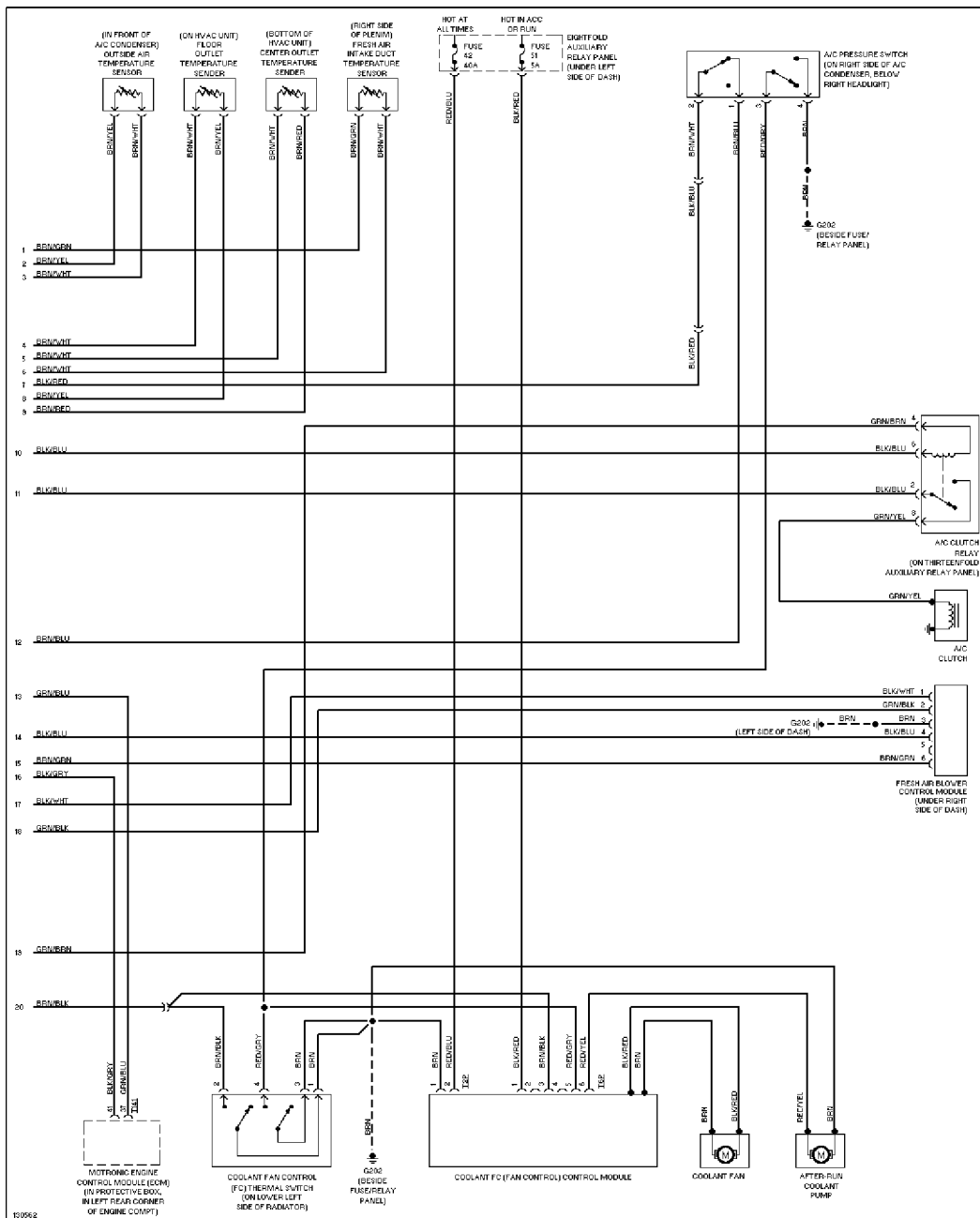


Automatic A/C Circuit (2 of 2)



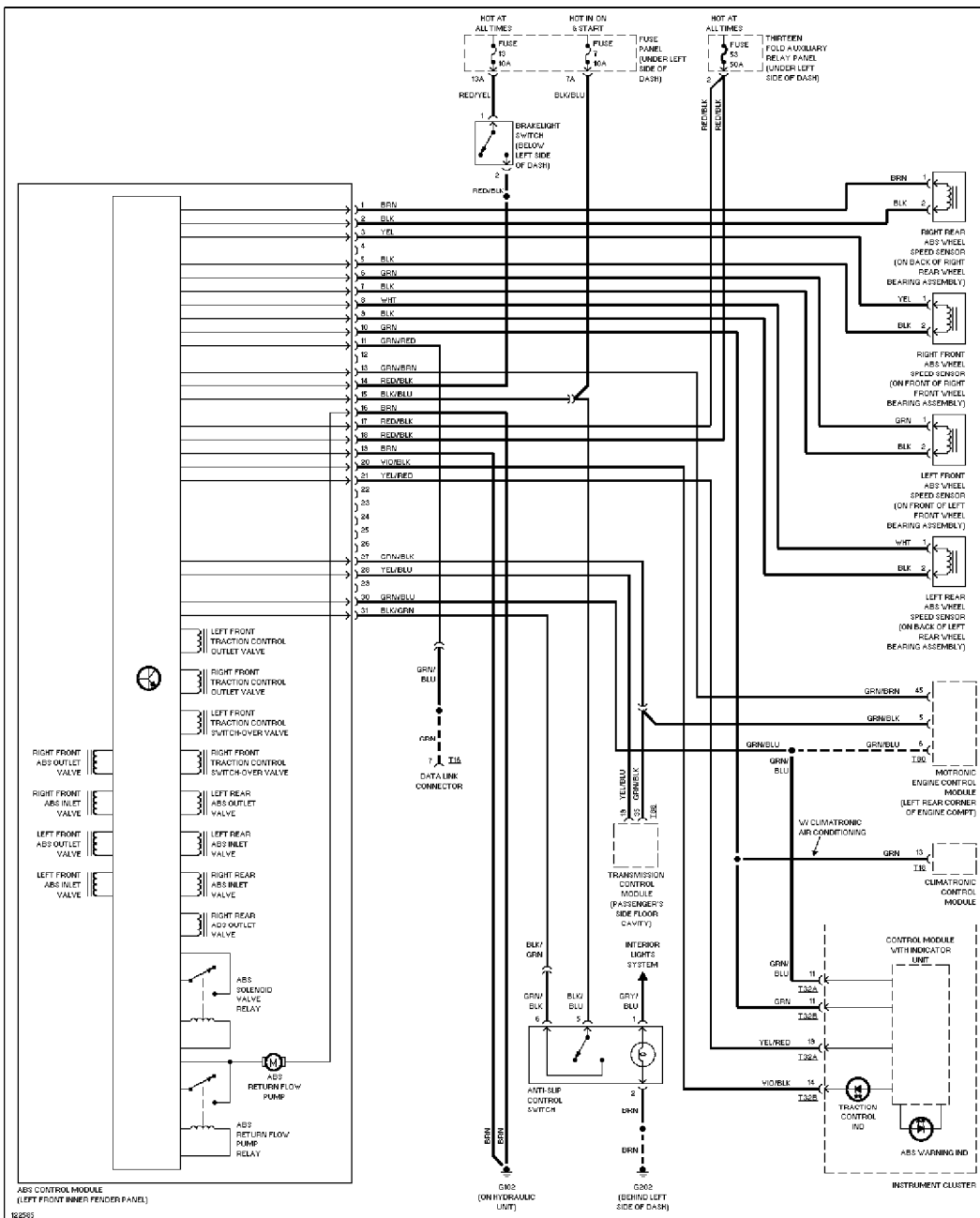


Automatic A/C Circuit (1 of 2)

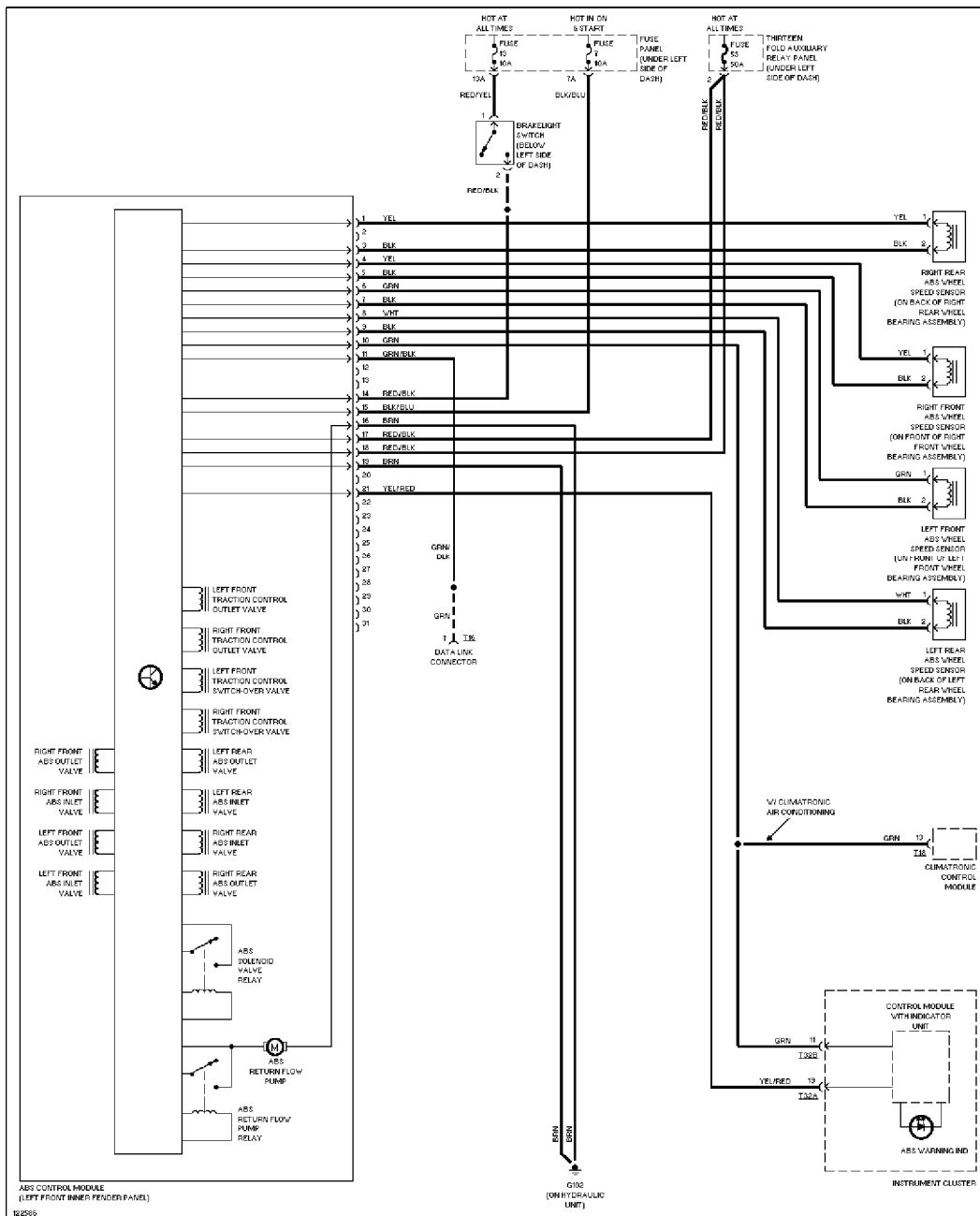


Automatic A/C Circuit (2 of 2)

## ANTI-LOCK BRAKES



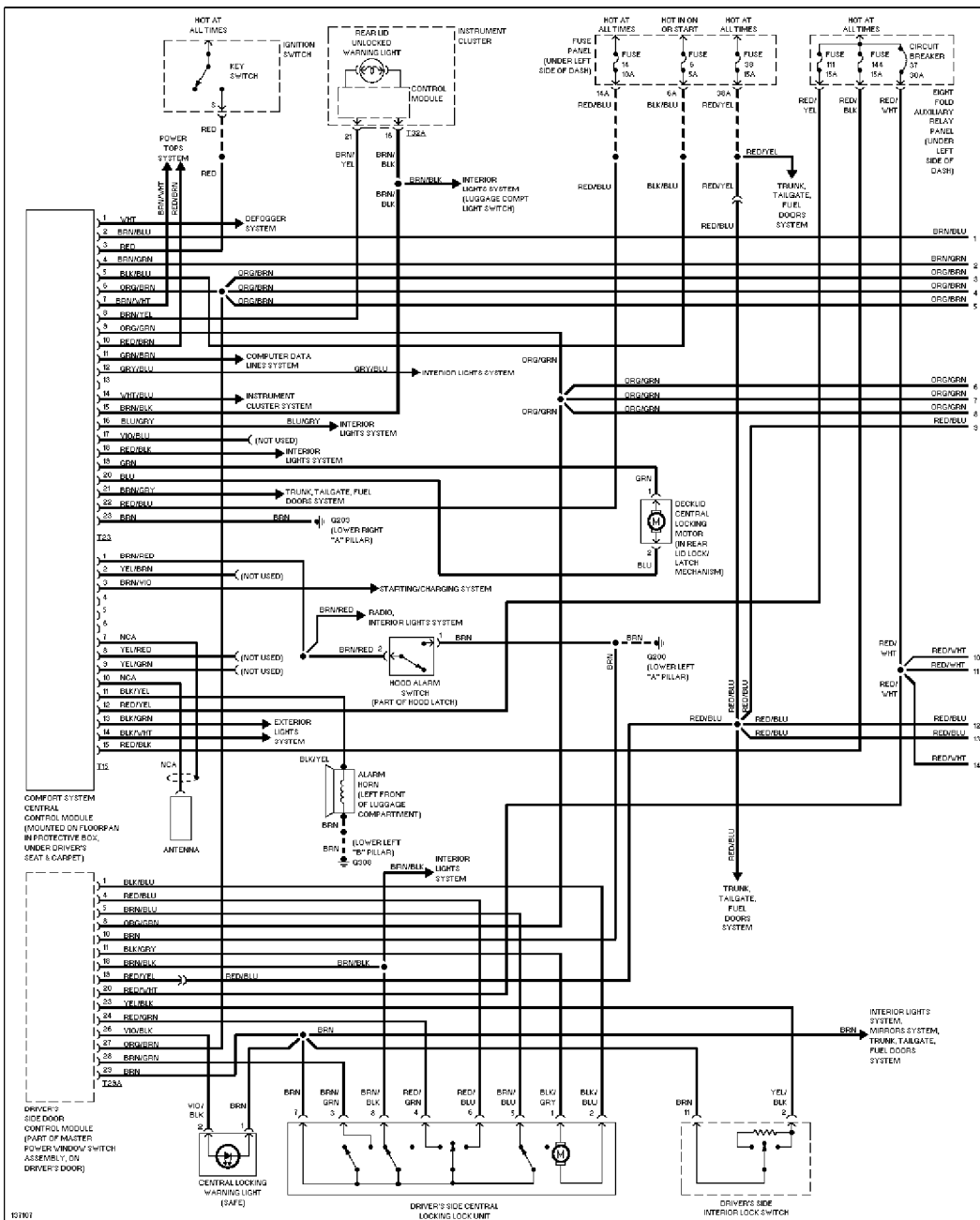
Anti-lock Brake Circuits, W/ Traction Control



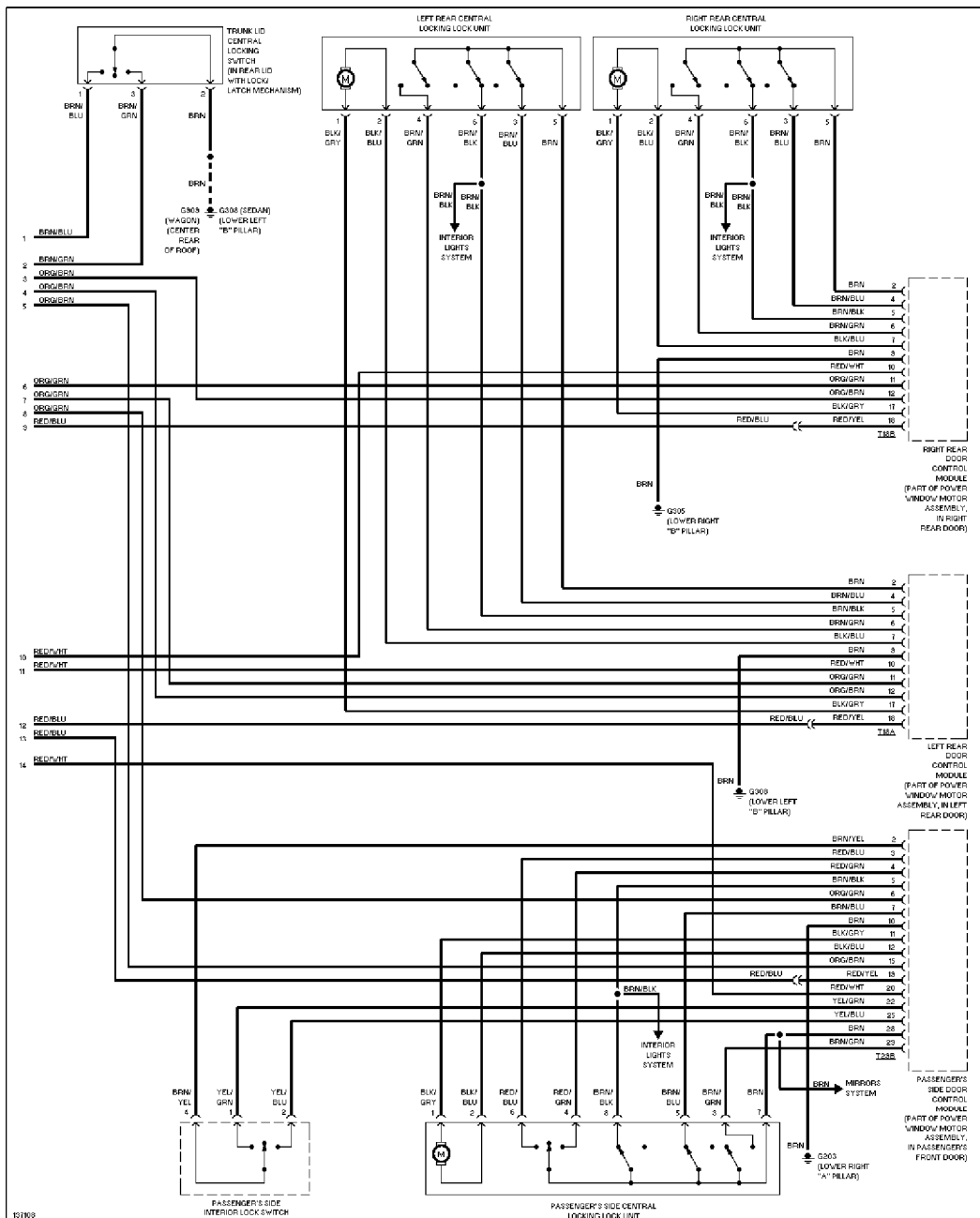
Anti-lock Brake Circuits, W/O Traction Control

ANTI-THEFT





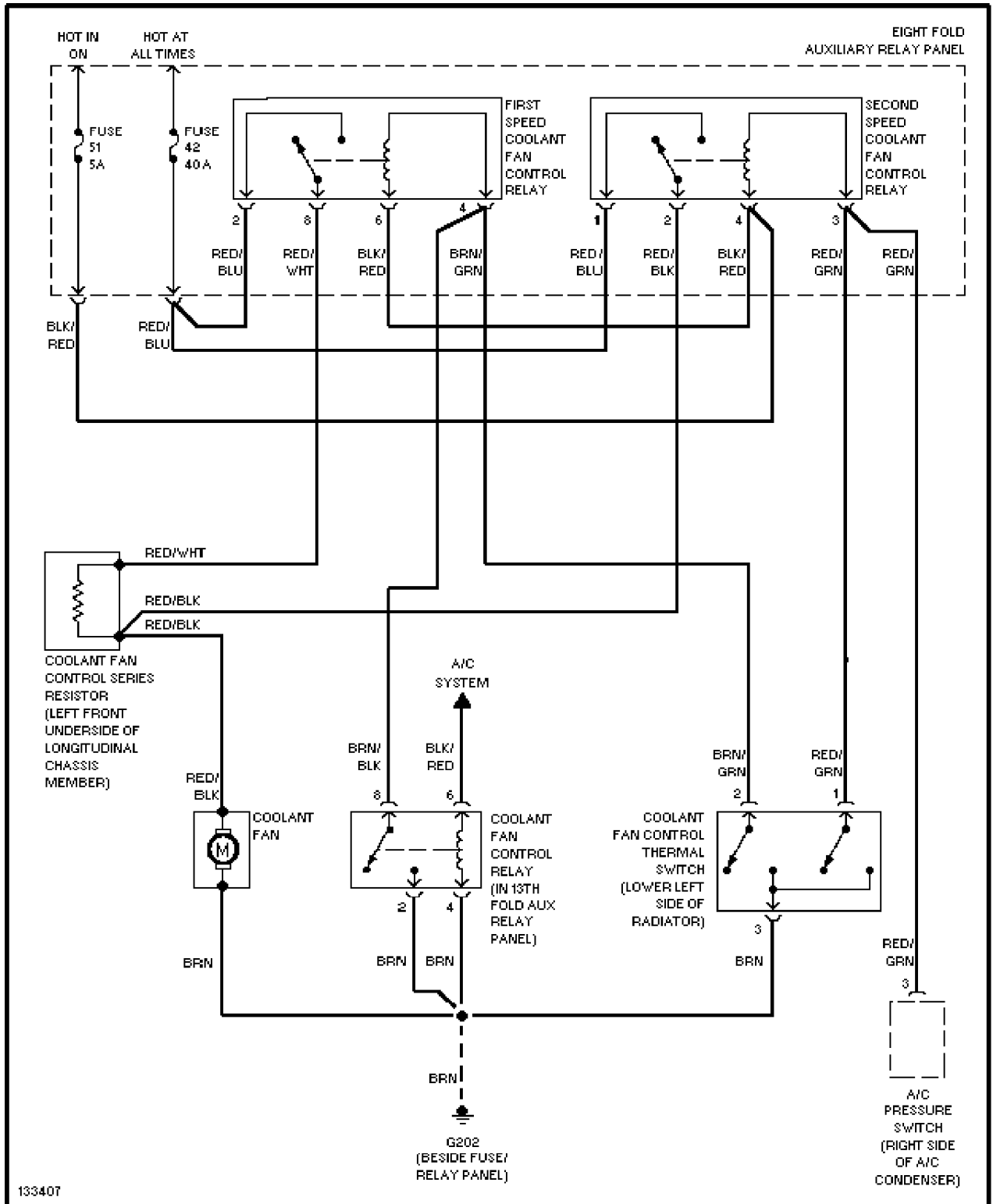
Anti-theft Circuit (1 of 2)



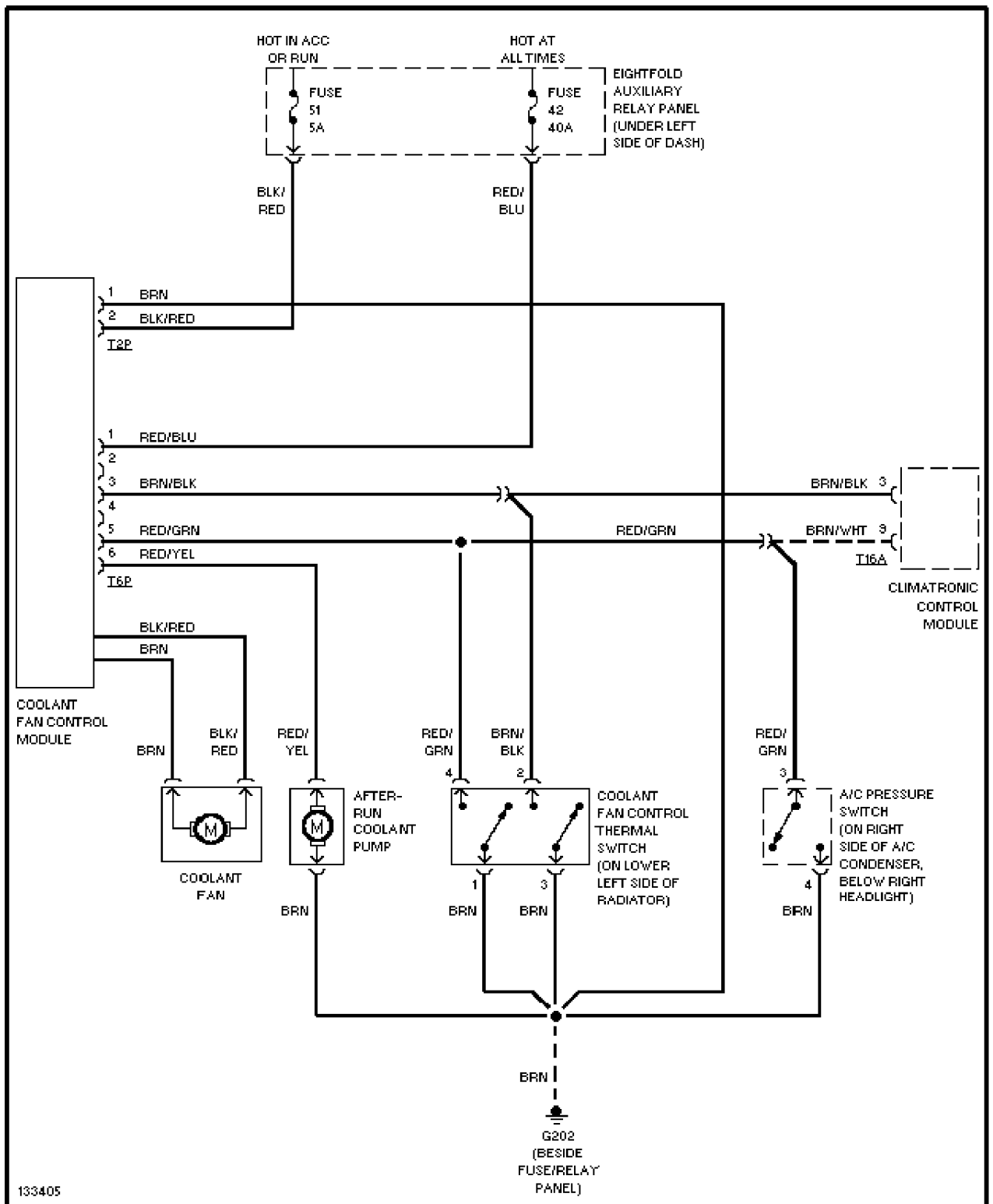
Anti-theft Circuit (2 of 2)

COMPUTER DATA LINES

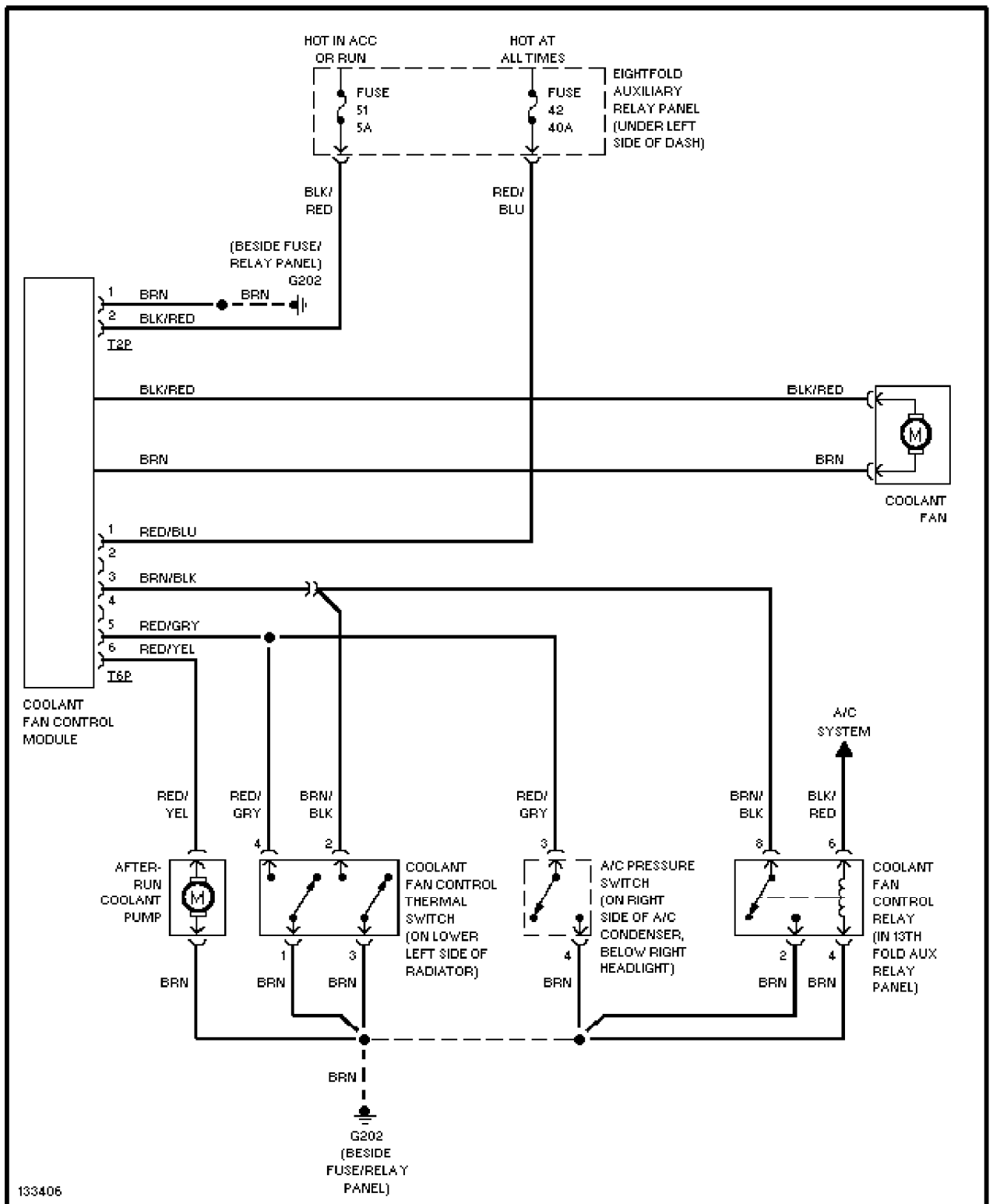




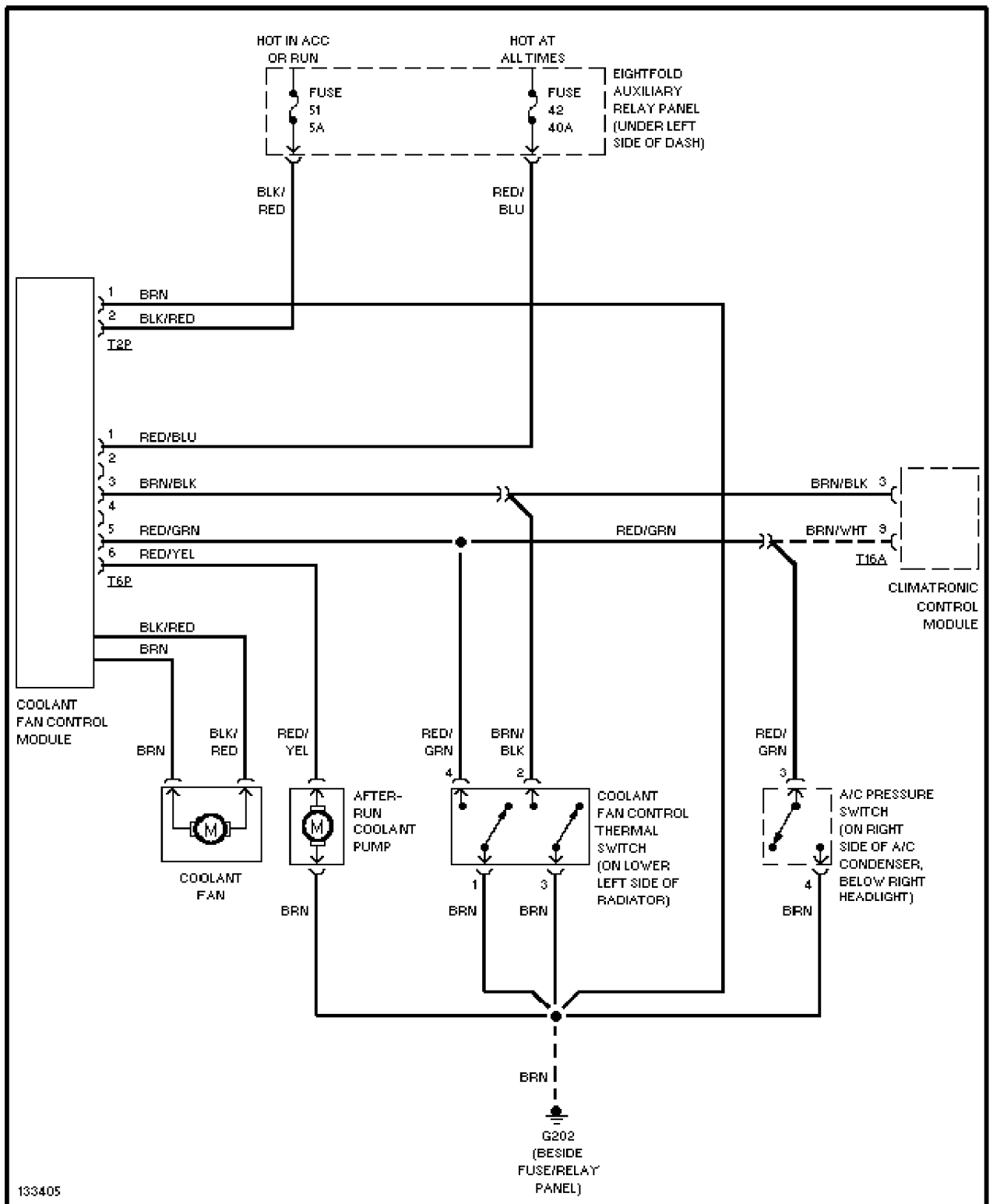
1.8L Turbo, Cooling Fan Circuit, Manual A/C



Cooling Fan Circuit, Auto A/C

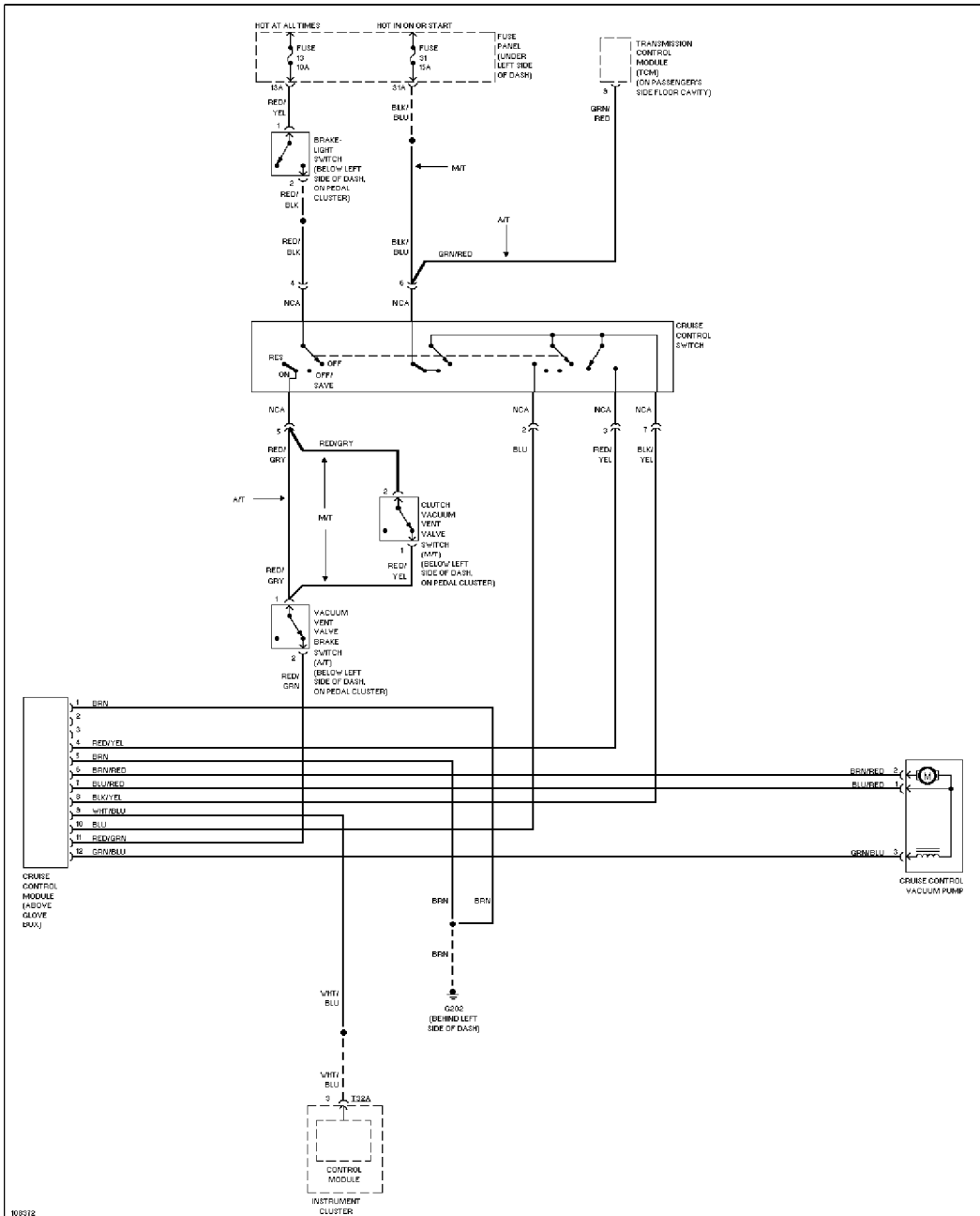


2.8L, Cooling Fan Circuit, Manual A/C



Cooling Fan Circuit, Auto A/C

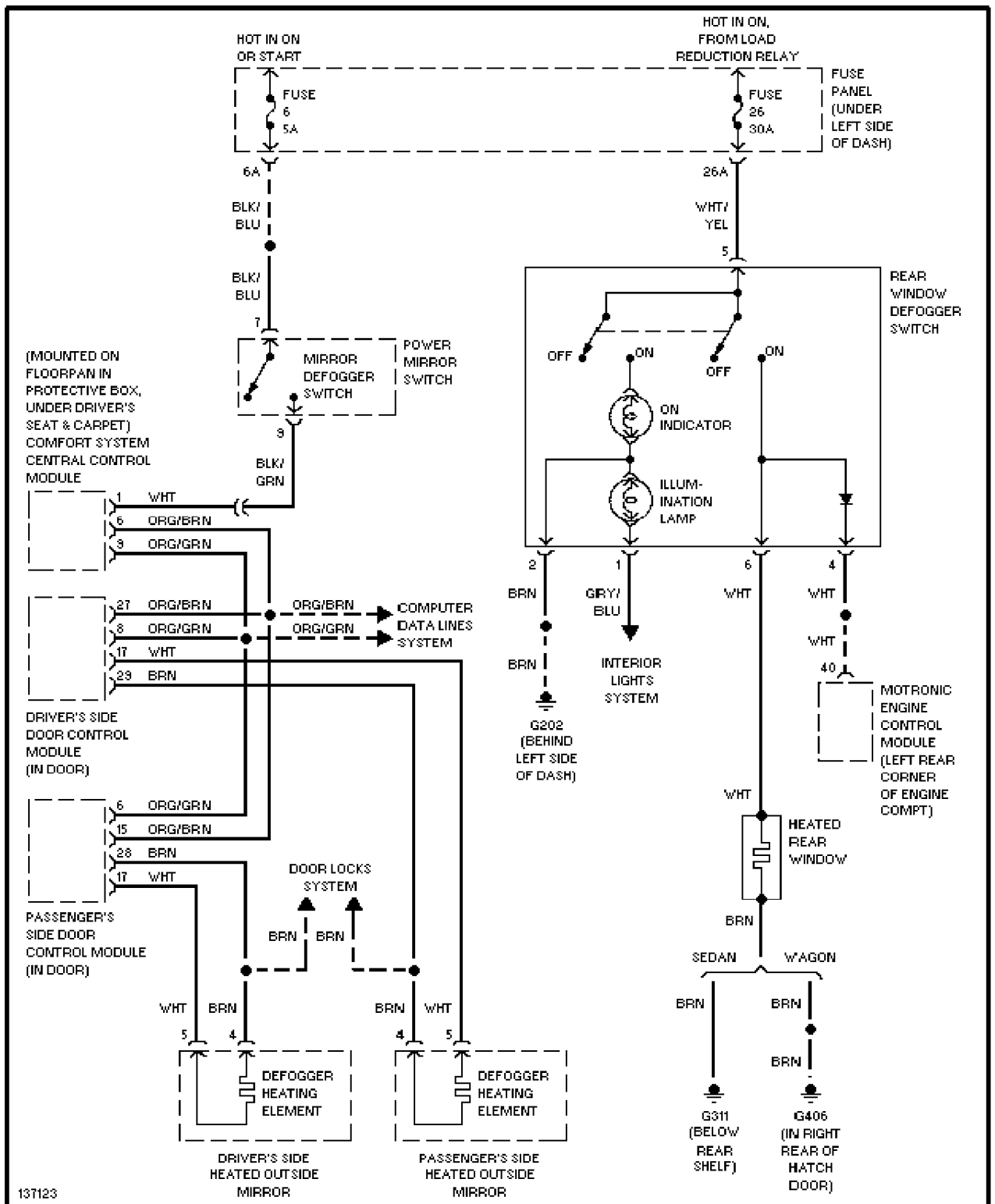
CRUISE CONTROL



Cruise Control Circuit

## DEFOGGERS



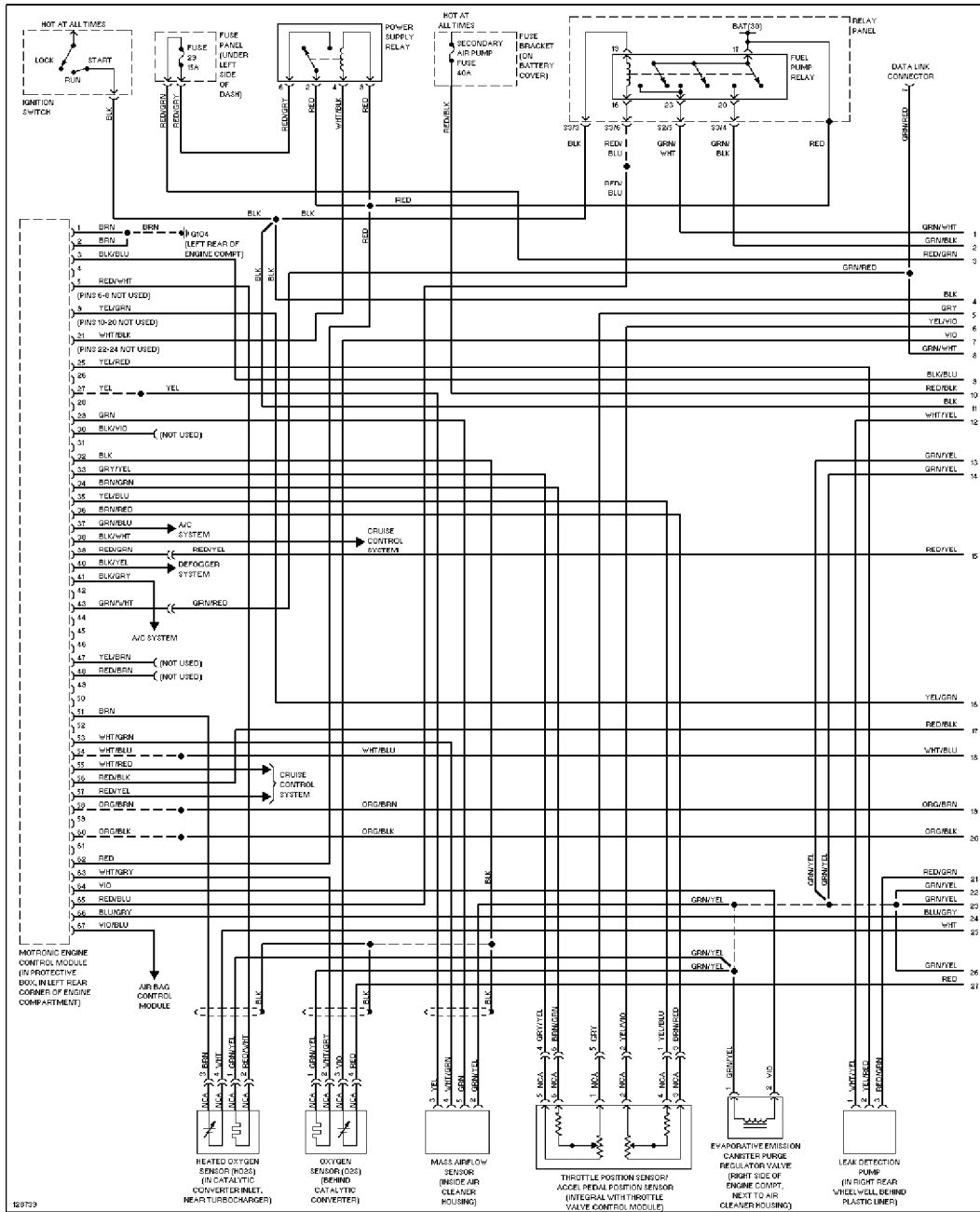


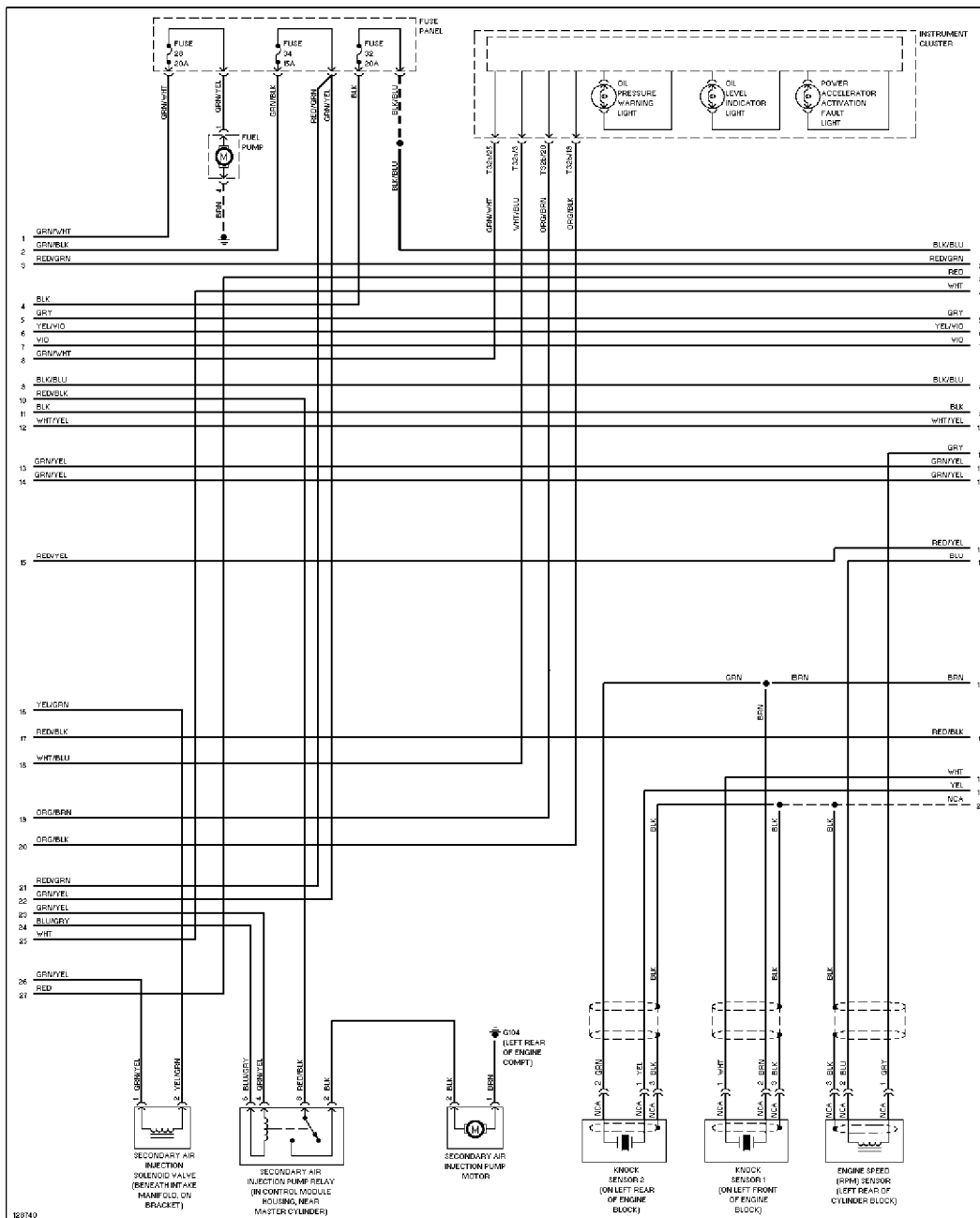
137123

Defogger Circuit

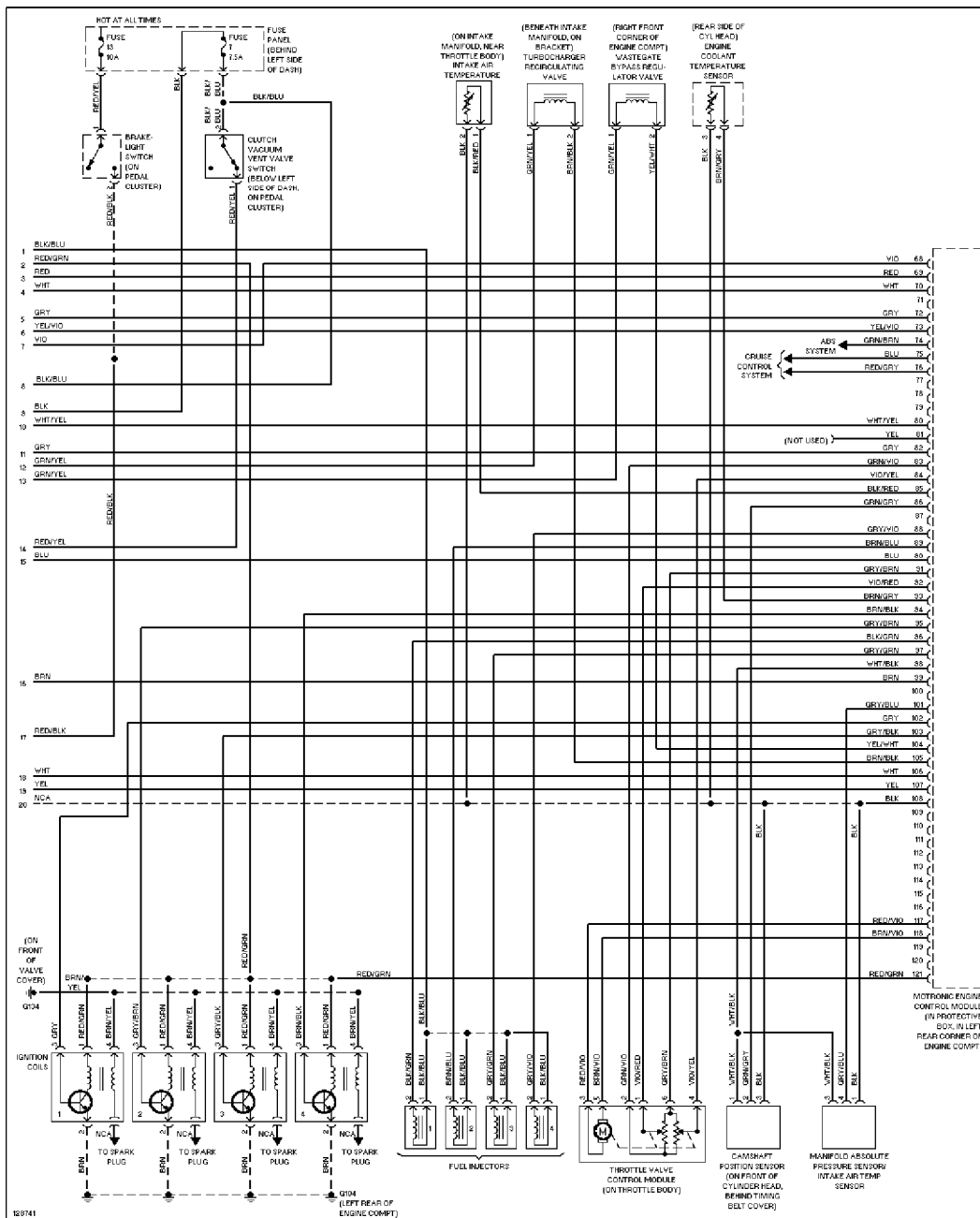
## ENGINE PERFORMANCE

1.8L



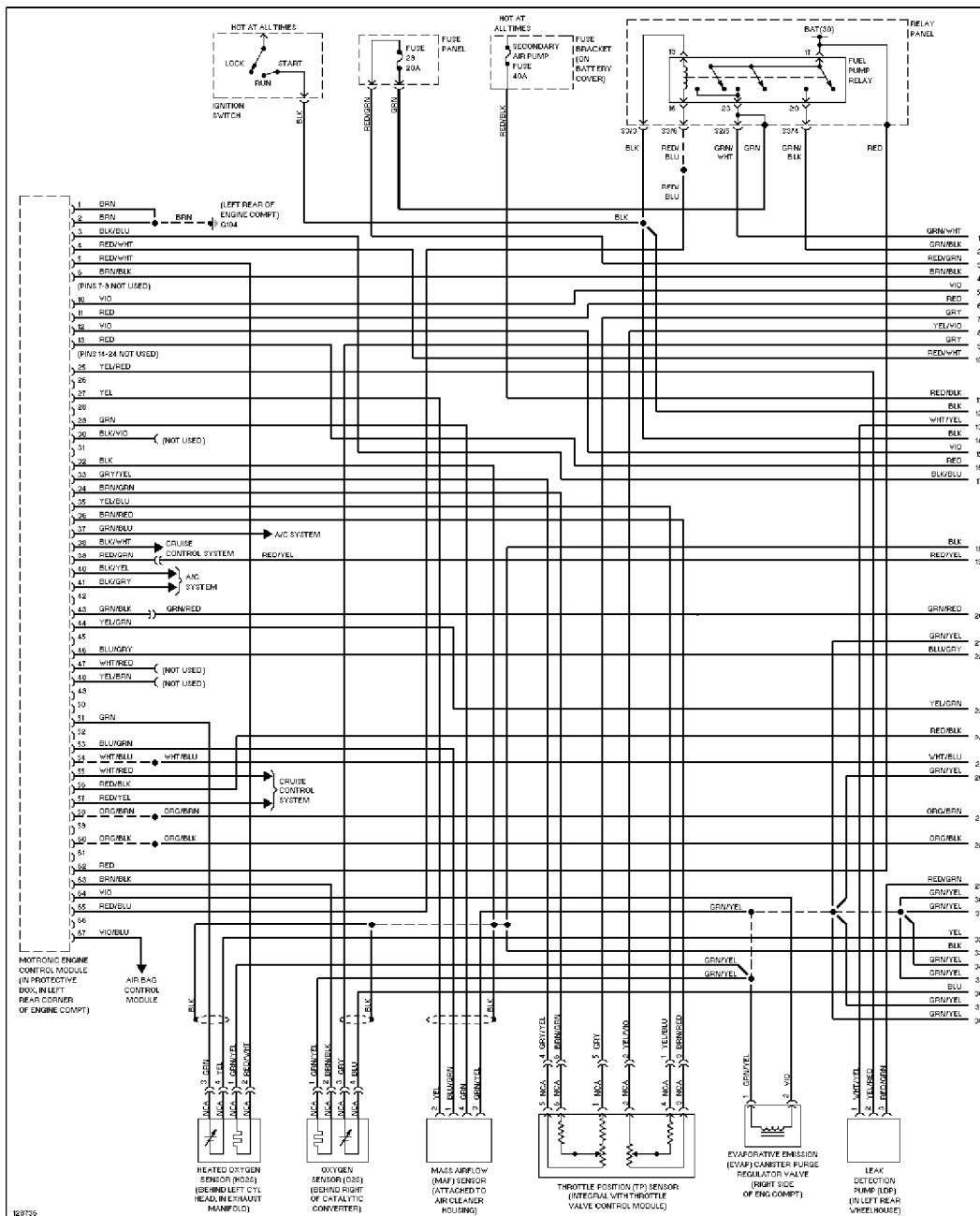


1.8L Turbo, Engine Performance Circuits (2 of 3)

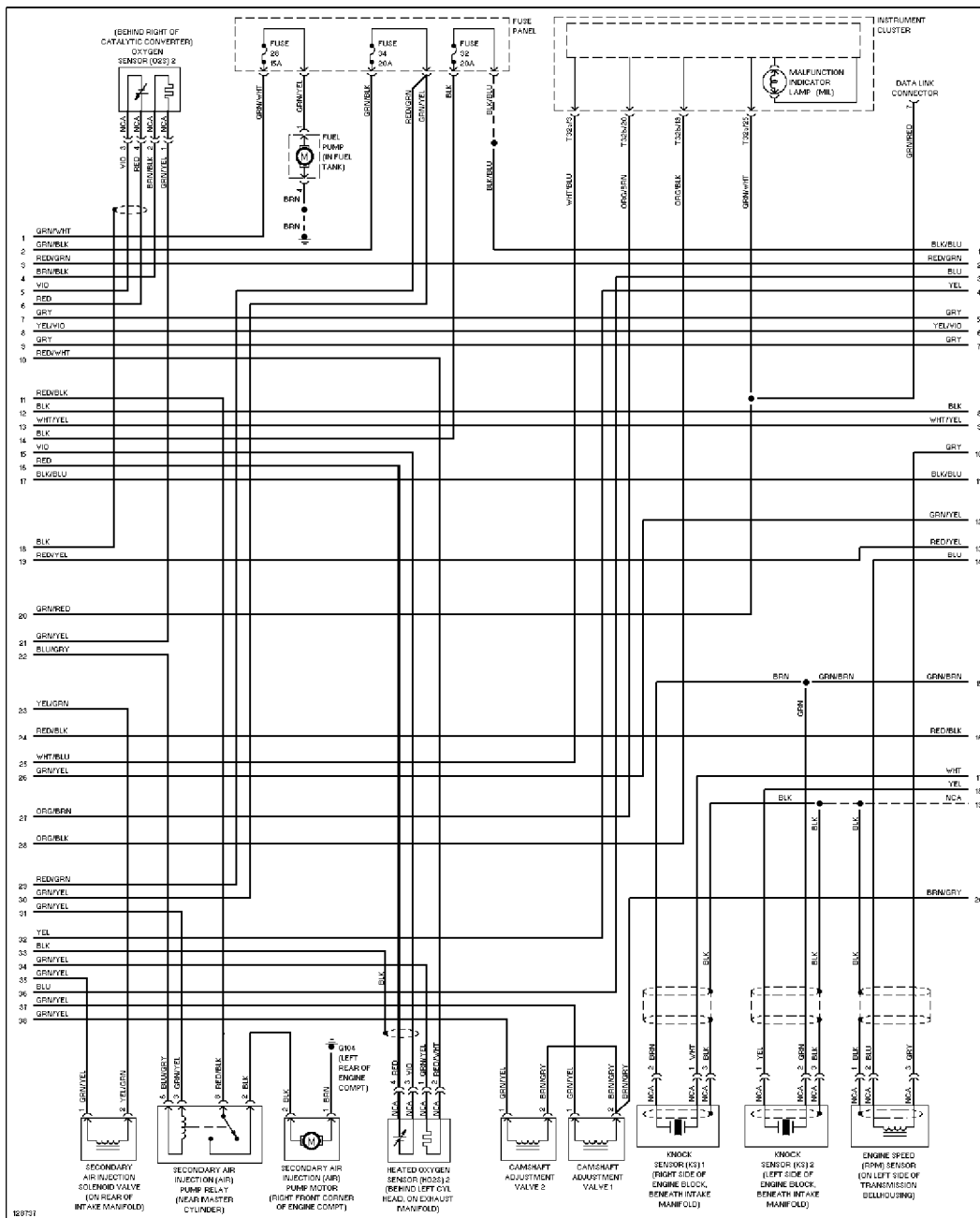


### 1.8L Turbo, Engine Performance Circuits (3 of 3)

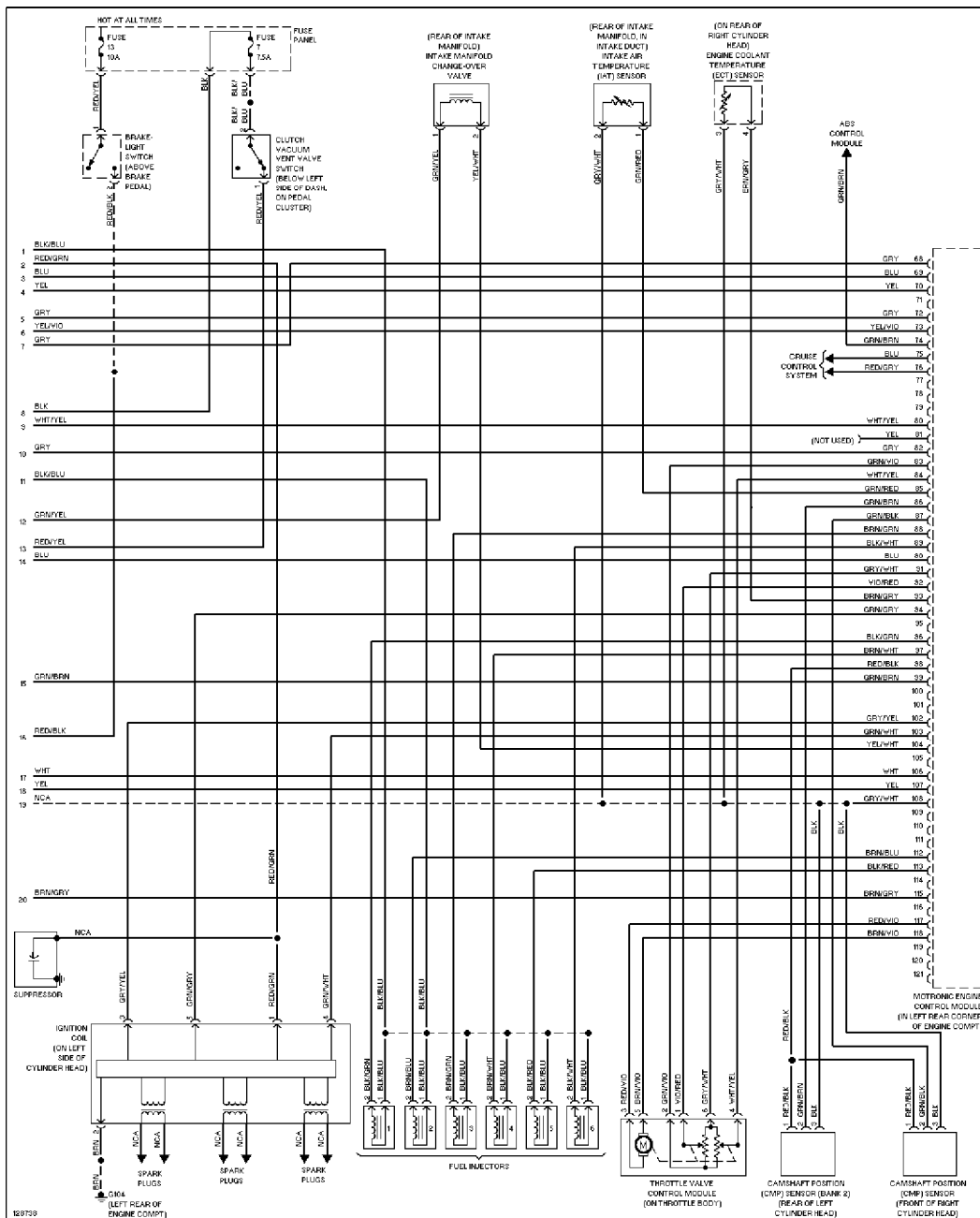
2.8L



2.8L, Engine Performance Circuits (1 of 3)

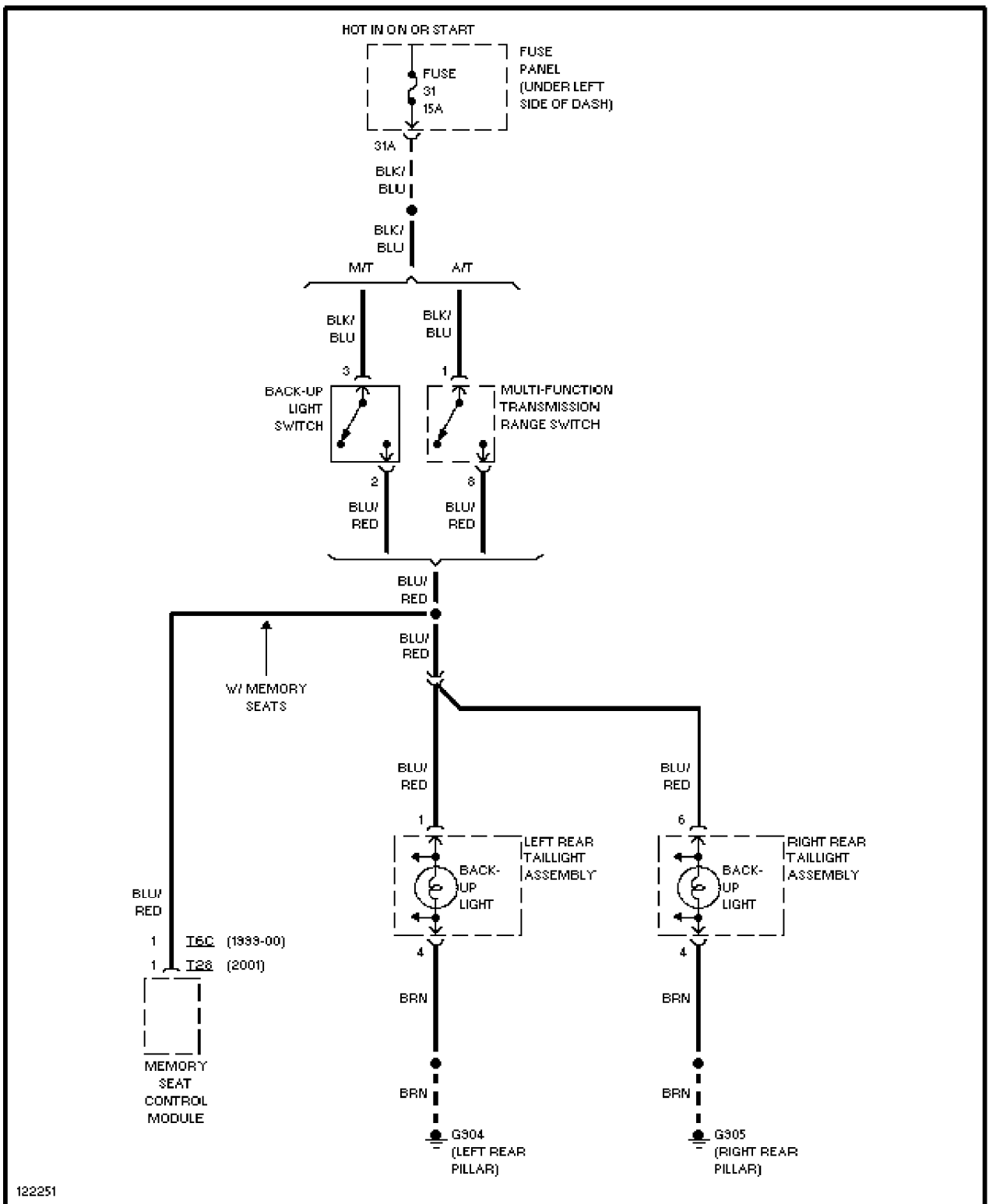


2.8L, Engine Performance Circuits (2 of 3)



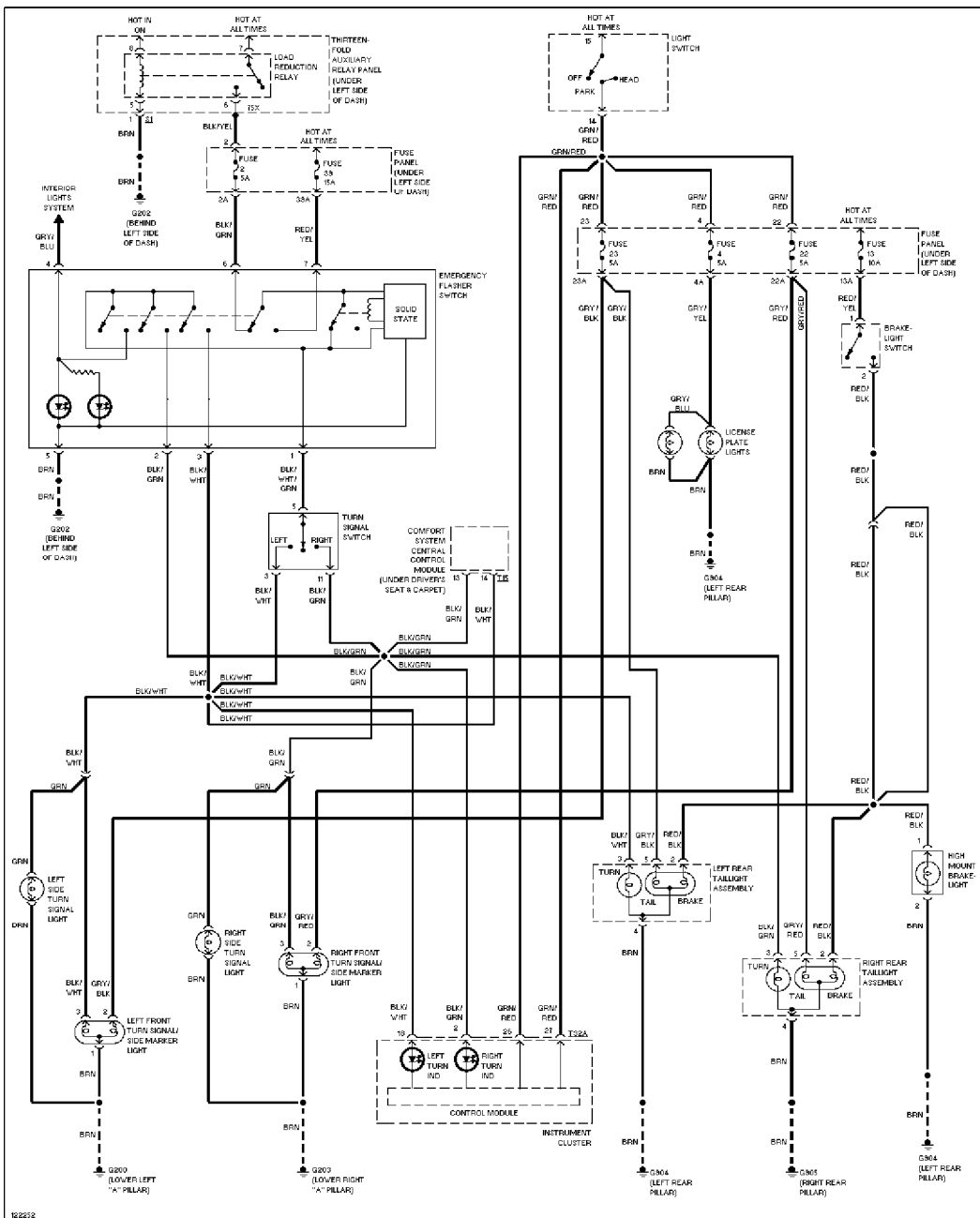
2.8L, Engine Performance Circuits (3 of 3)

EXTERIOR LIGHTS



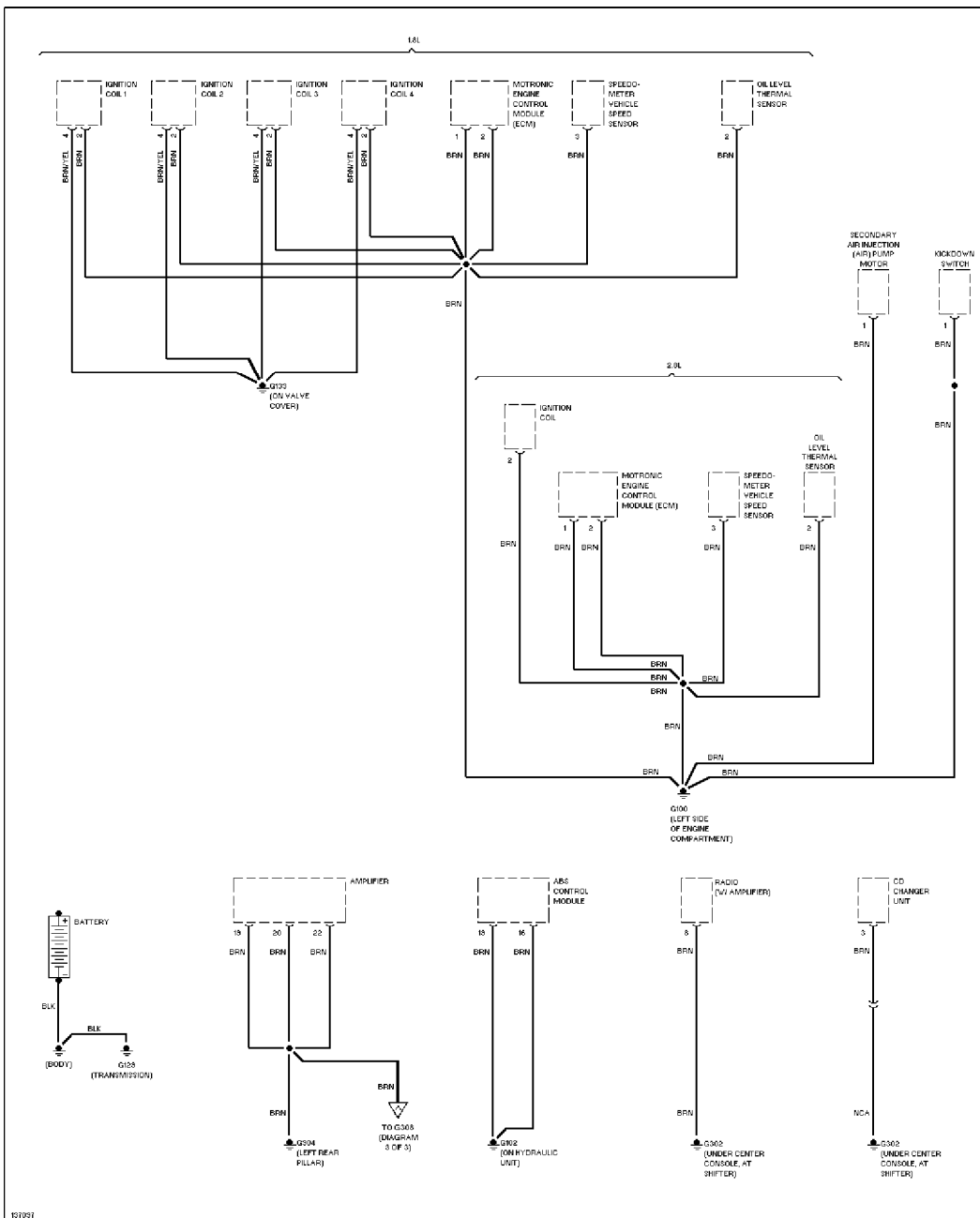
Back-up Lamps Circuit



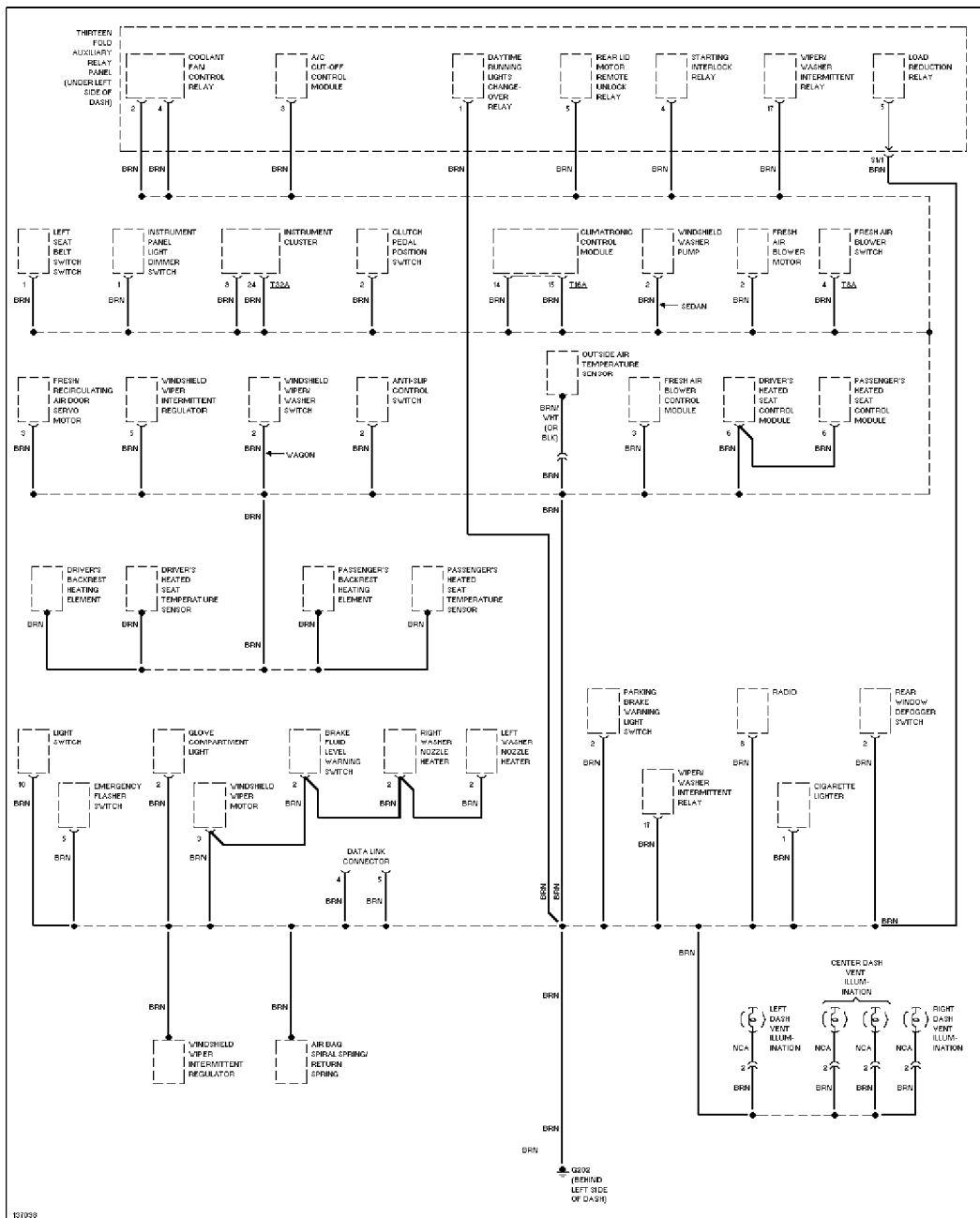


Exterior Lamps Circuit

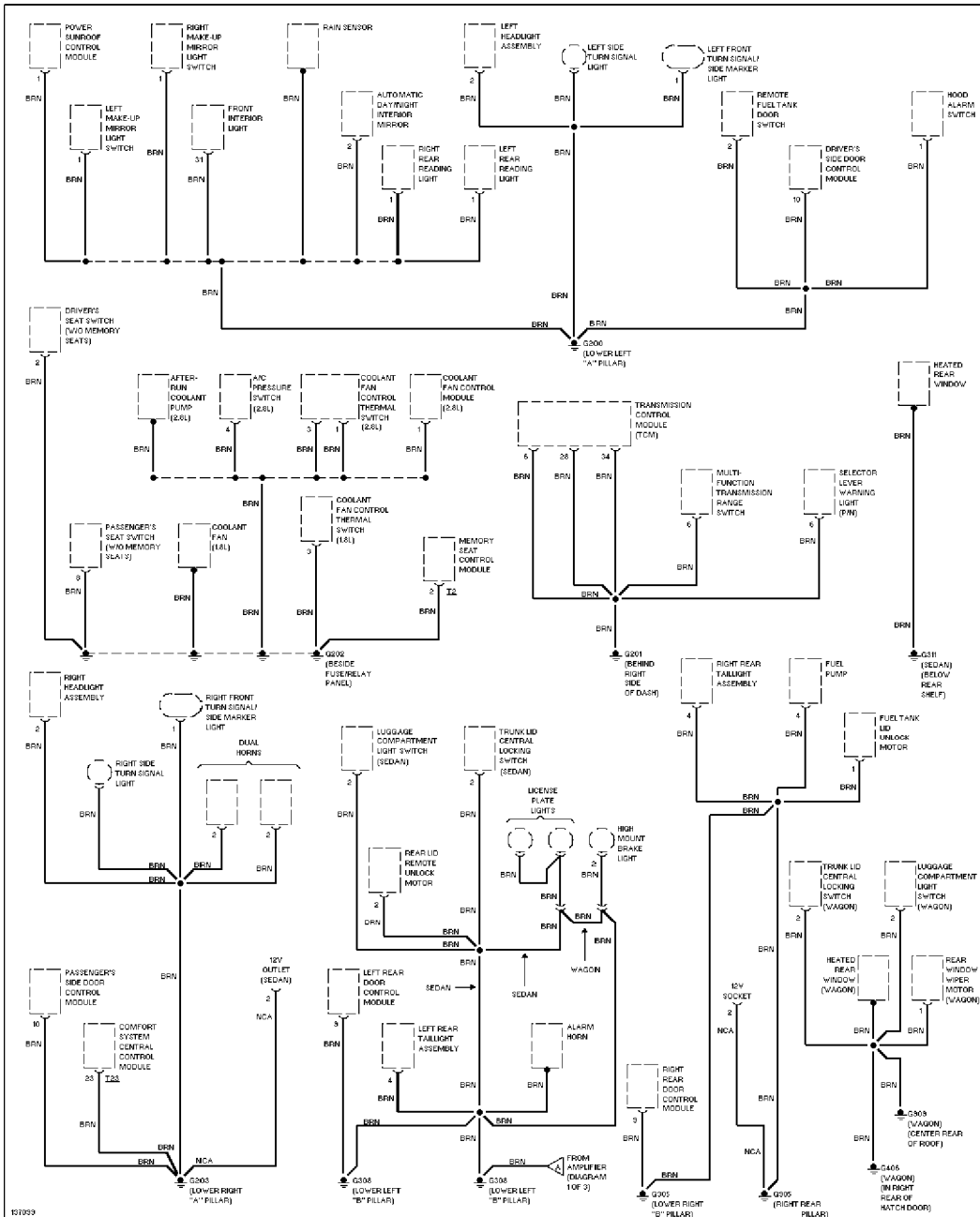
GROUND DISTRIBUTION



Ground Distribution Circuit (1 of 3)

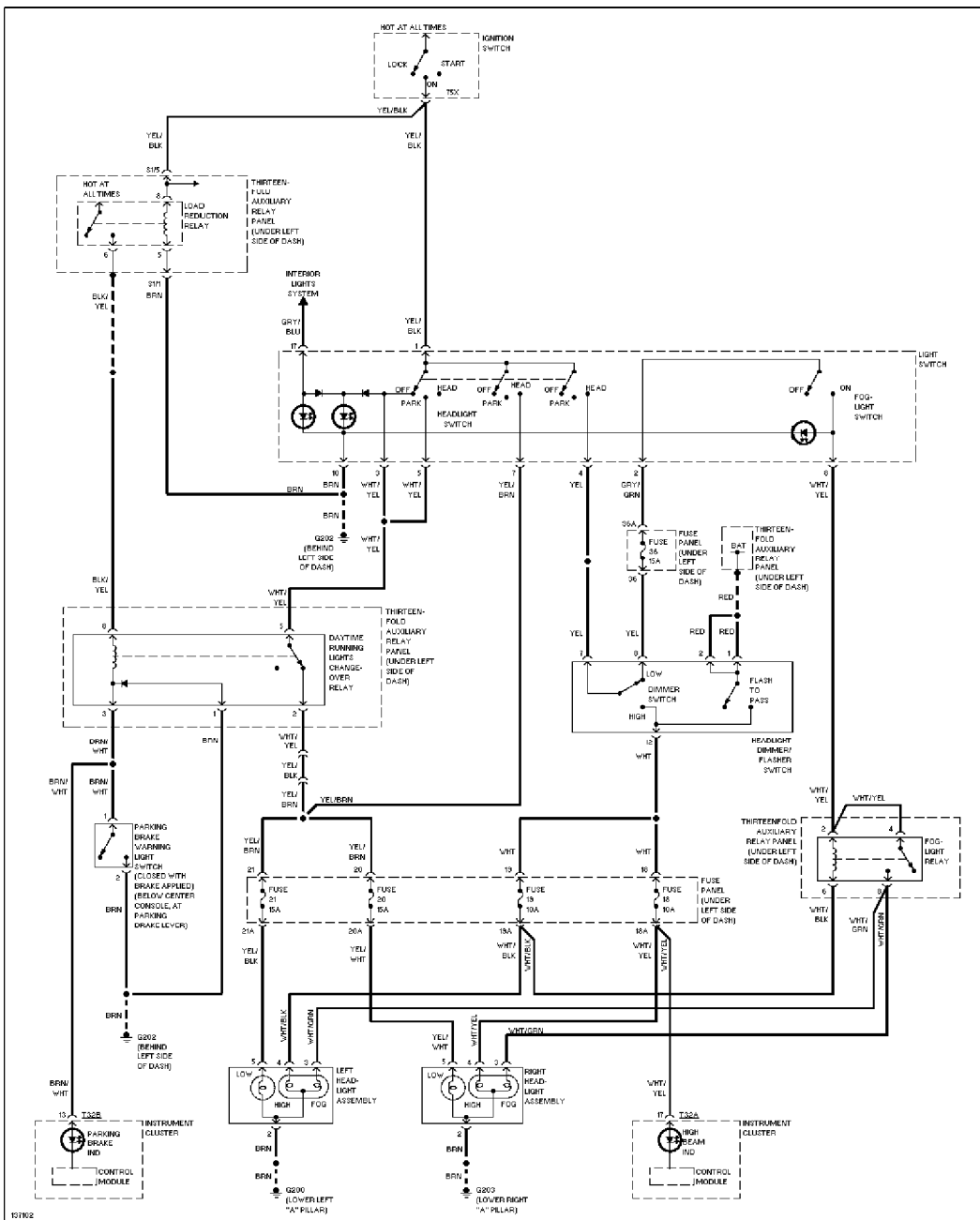


Ground Distribution Circuit (2 of 3)



Ground Distribution Circuit (3 of 3)

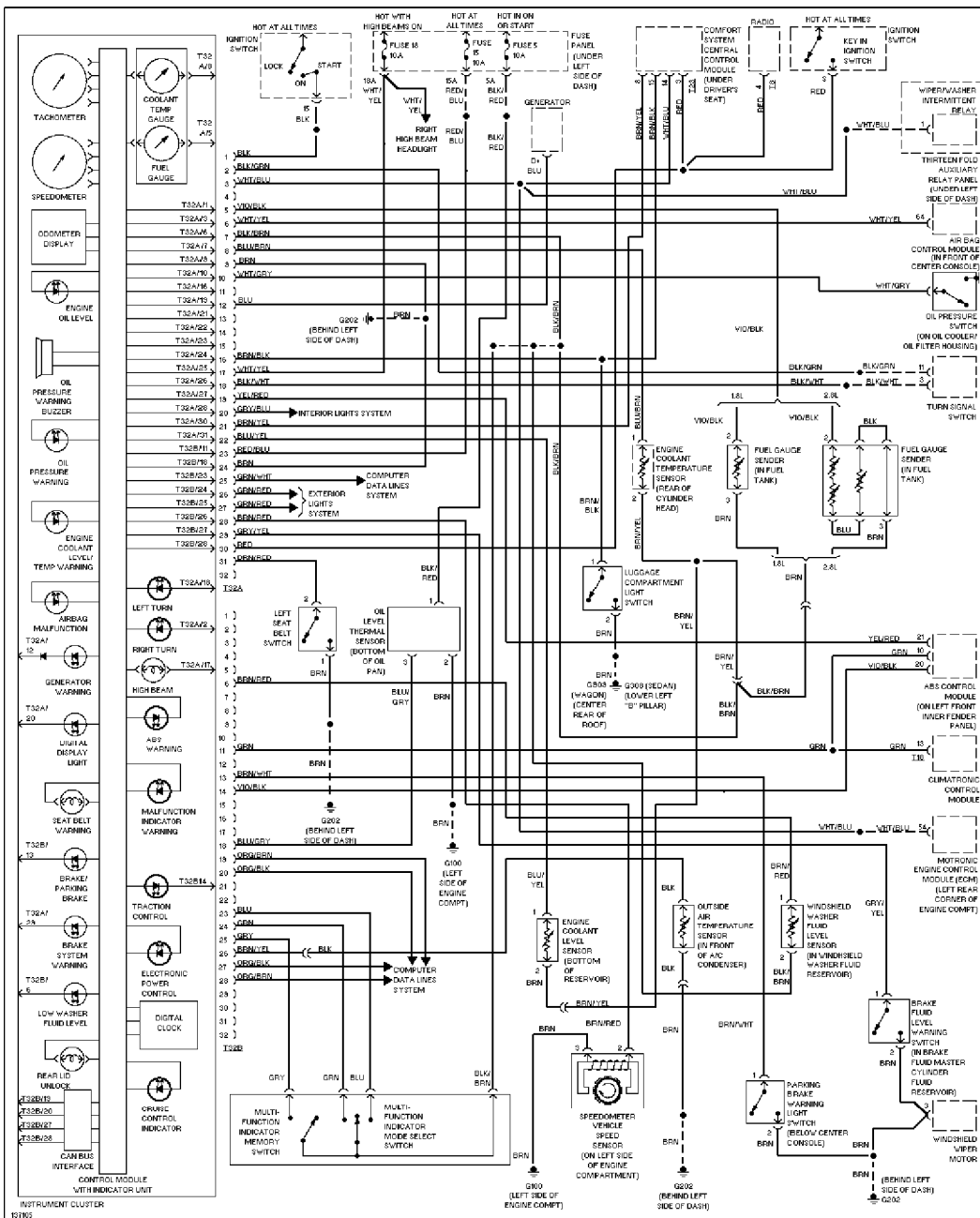
## HEADLIGHTS



Headlight Circuit

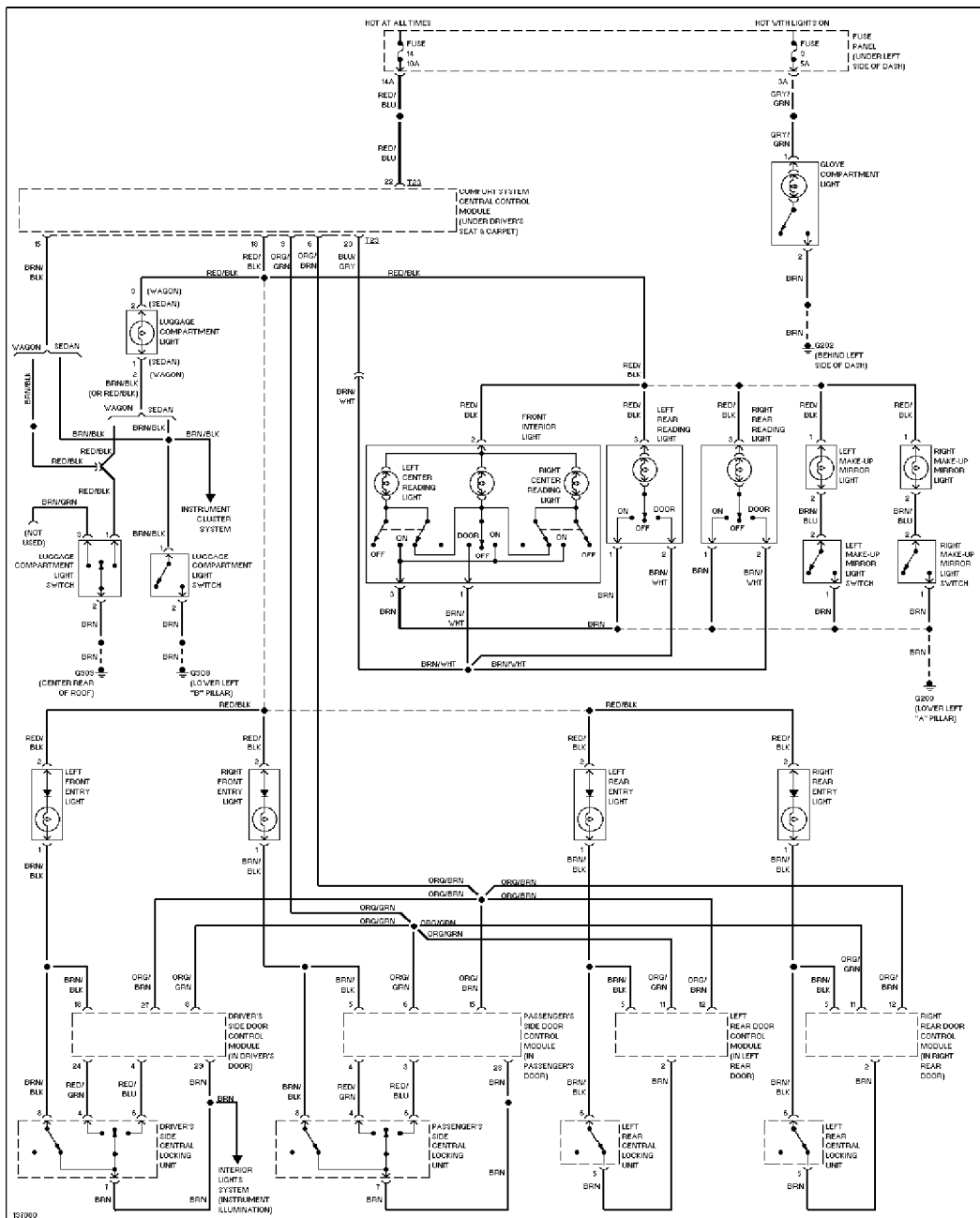
HORN





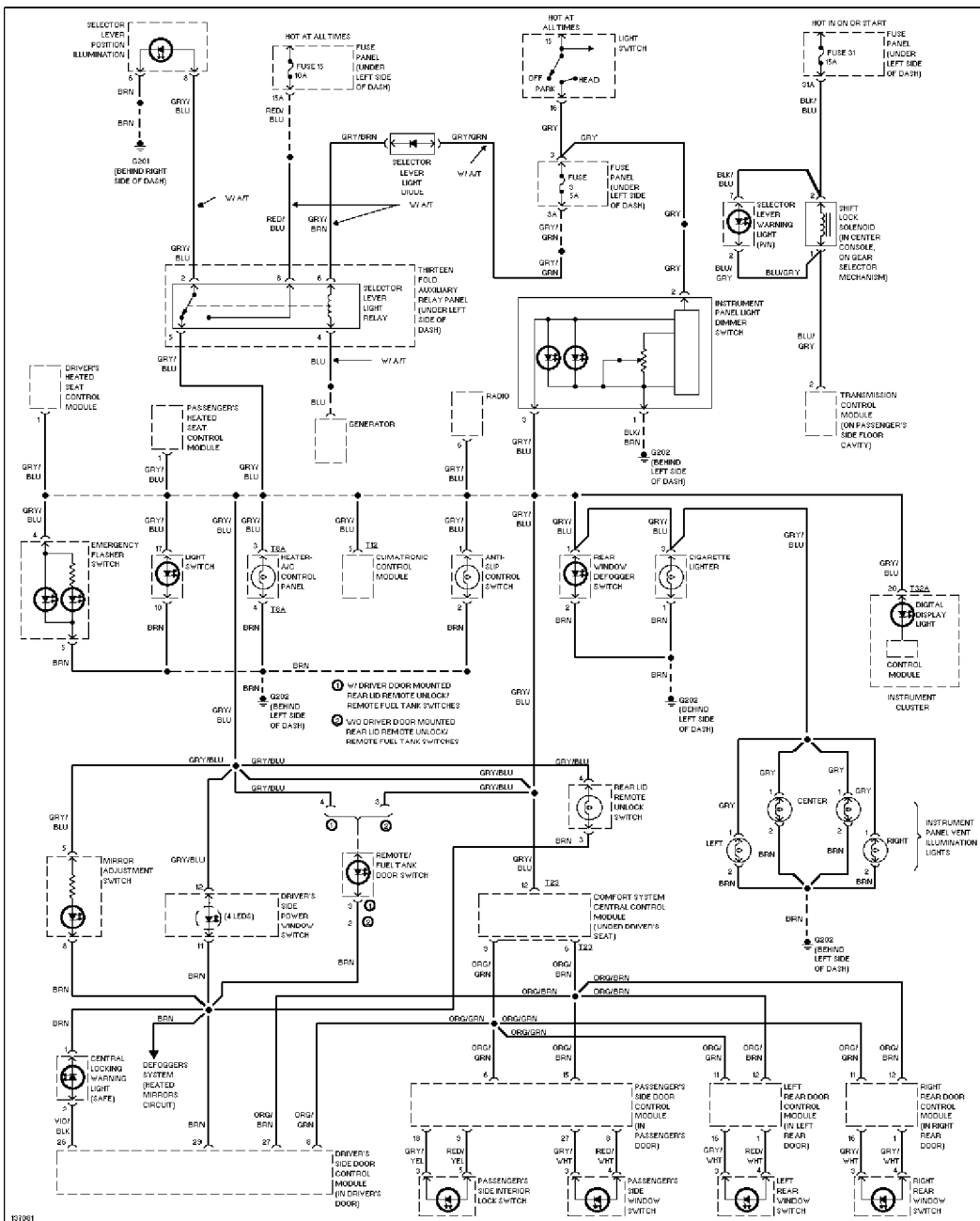
Instrument Cluster Circuit

## INTERIOR LIGHTS



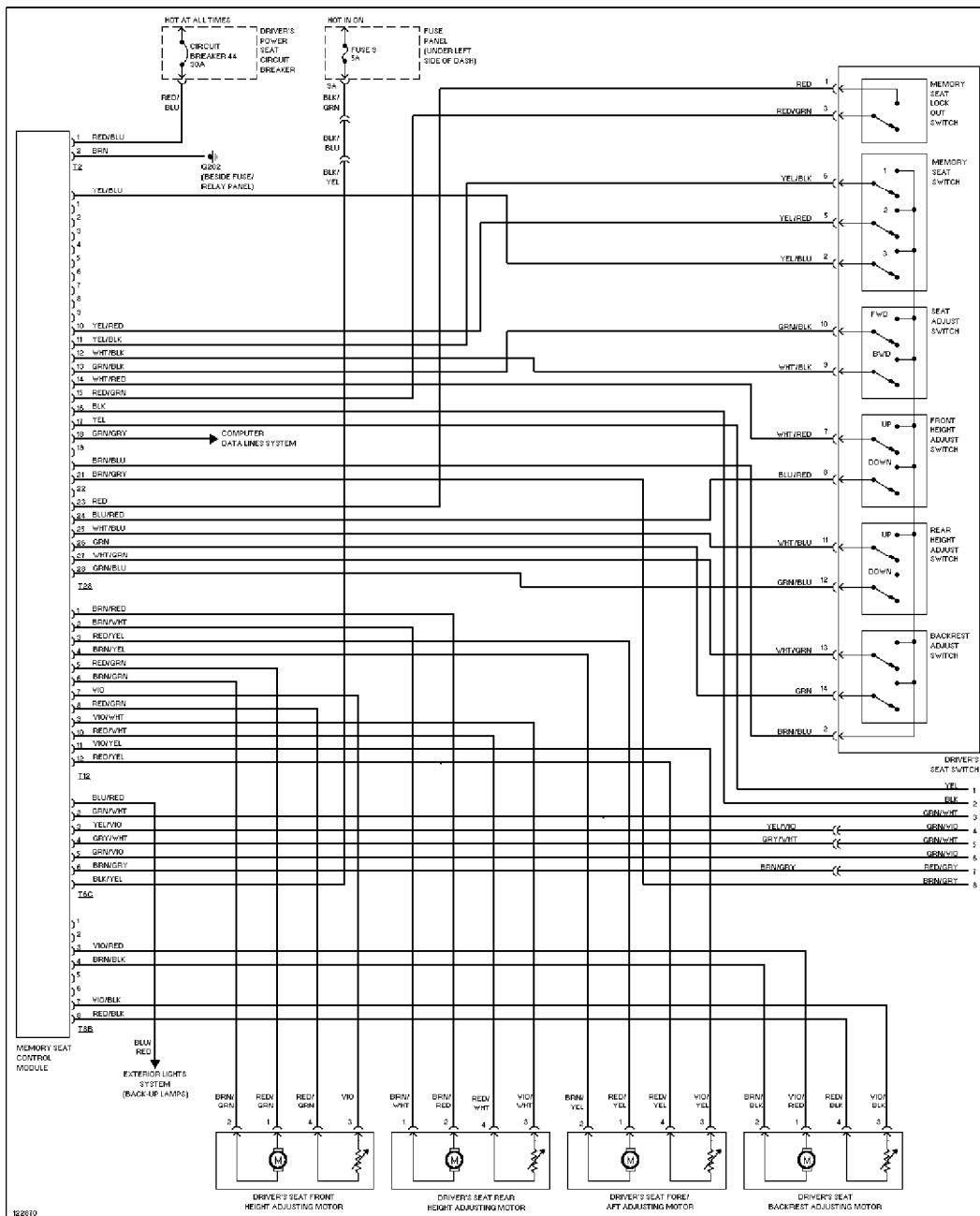
Courtesy Lamps Circuit



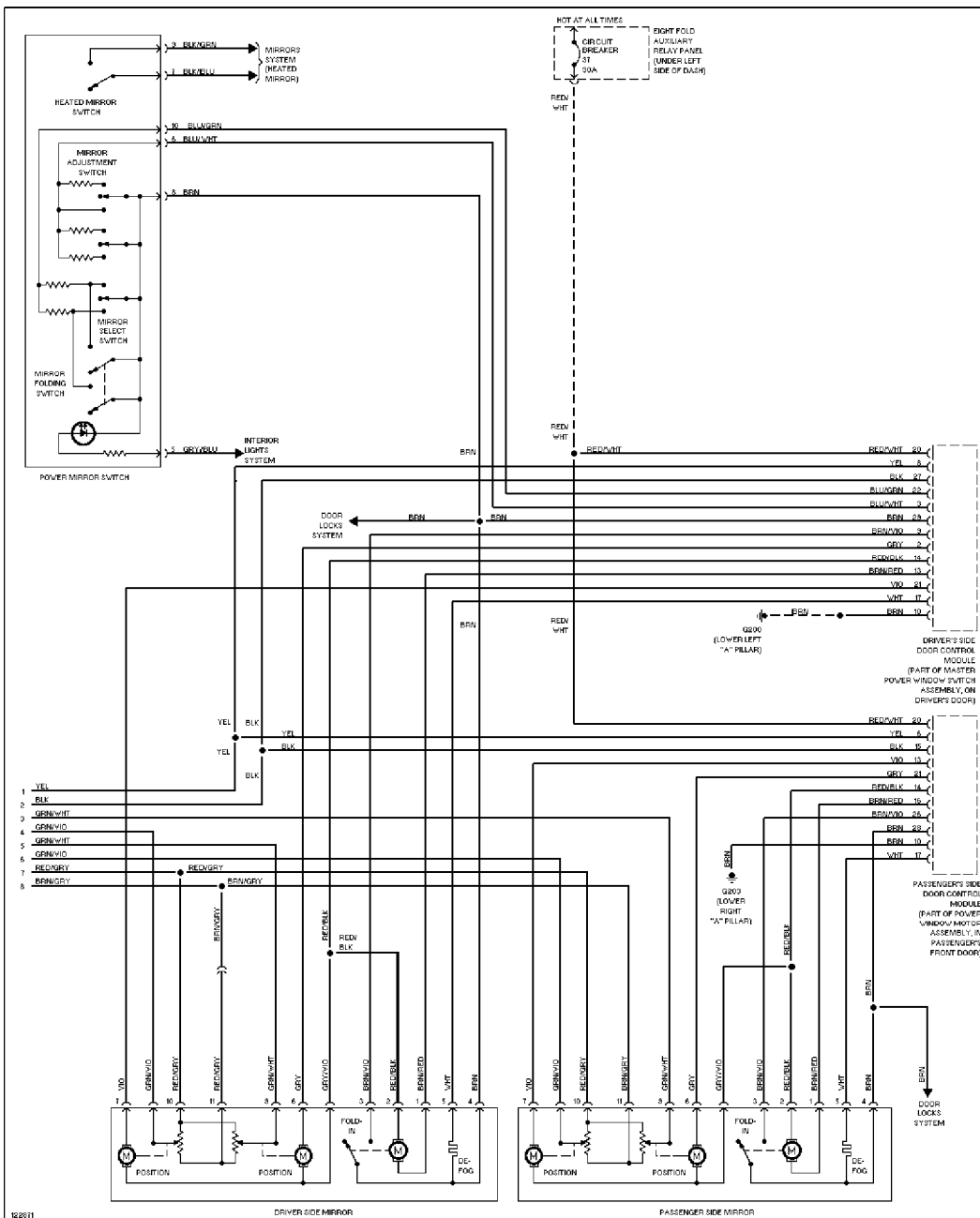


Instrument Illumination Circuit

## MEMORY SYSTEMS

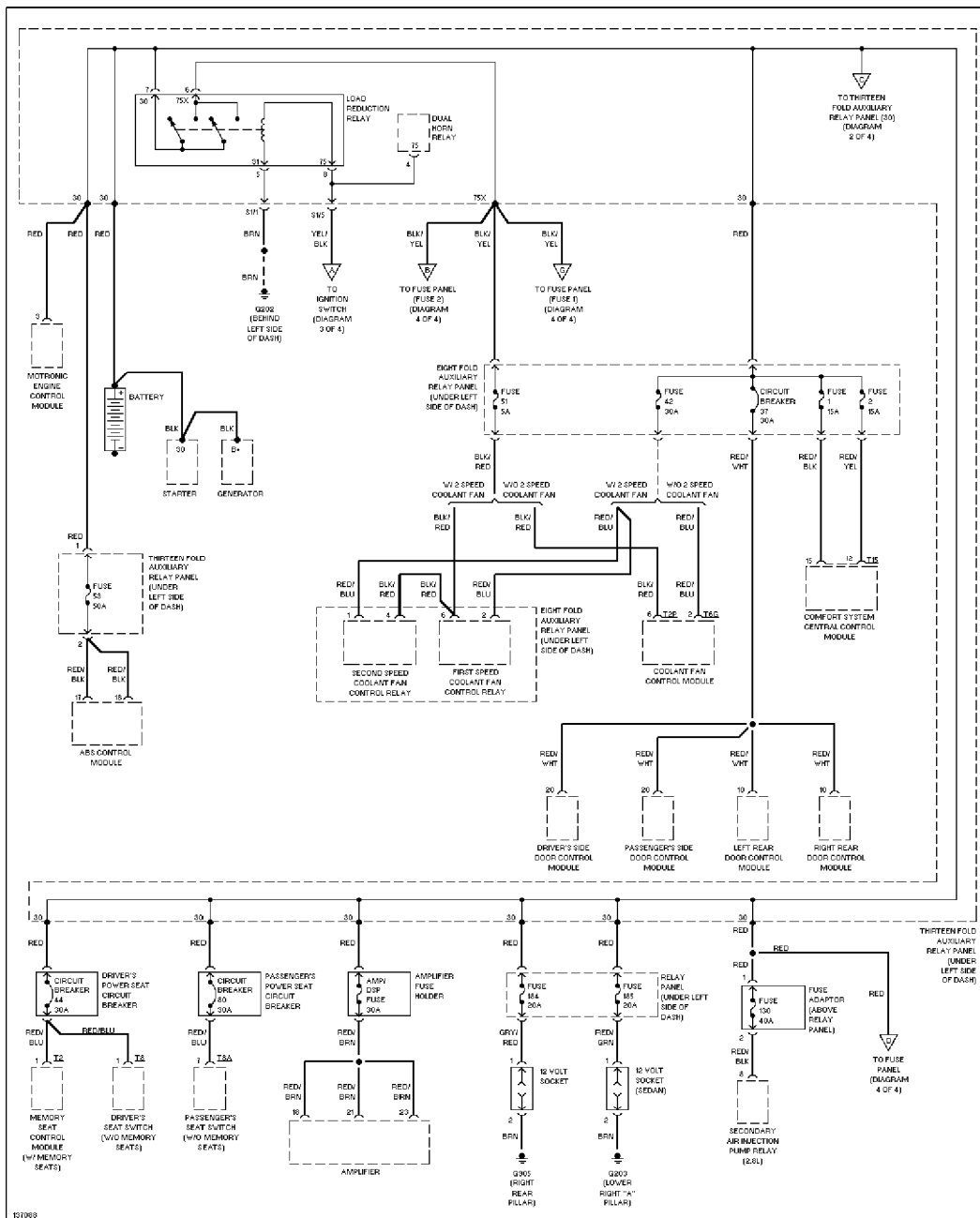


Memory System Circuits (1 of 2)



Memory System Circuits (2 of 2)

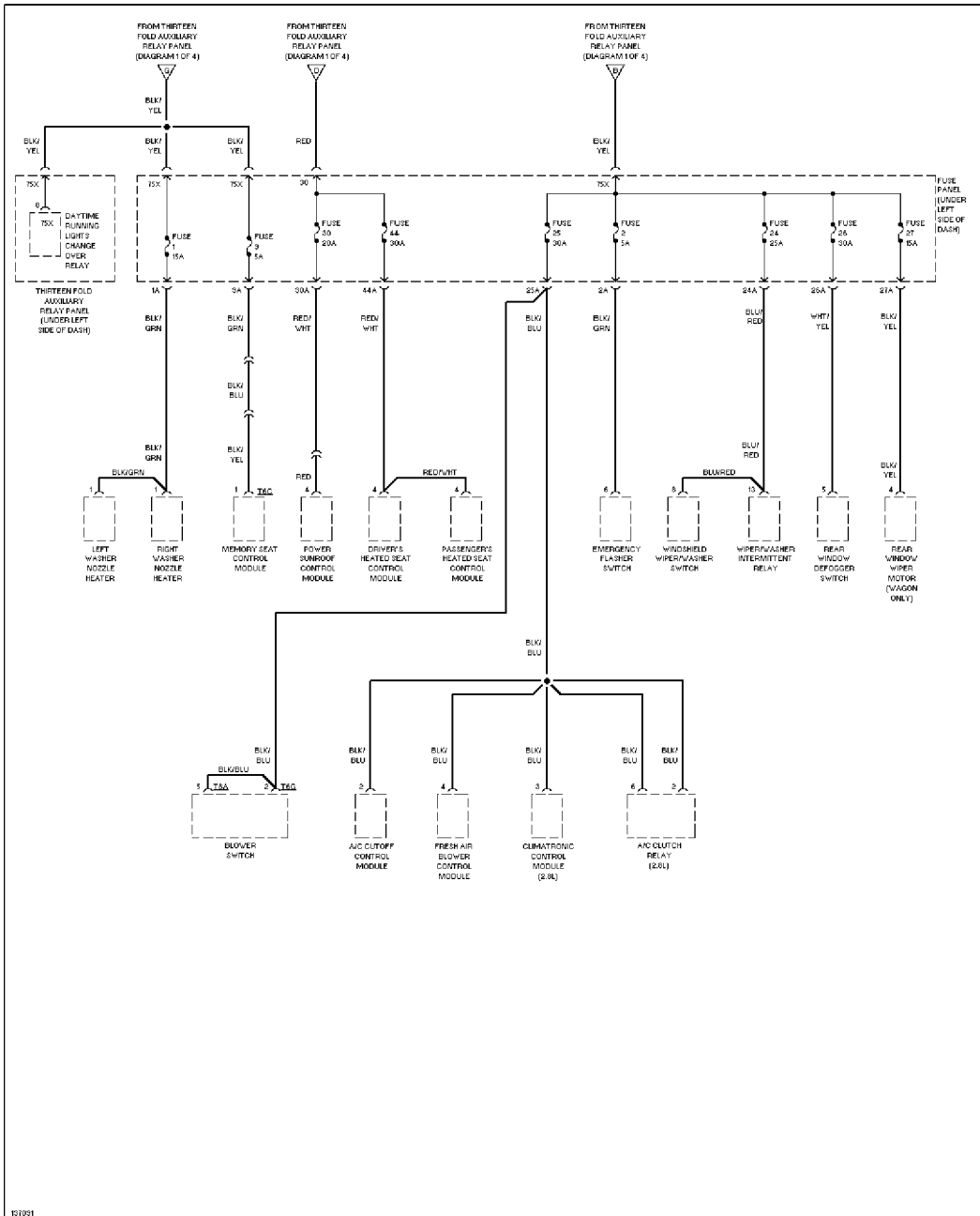
POWER DISTRIBUTION



Power Distribution Circuit (1 of 4)

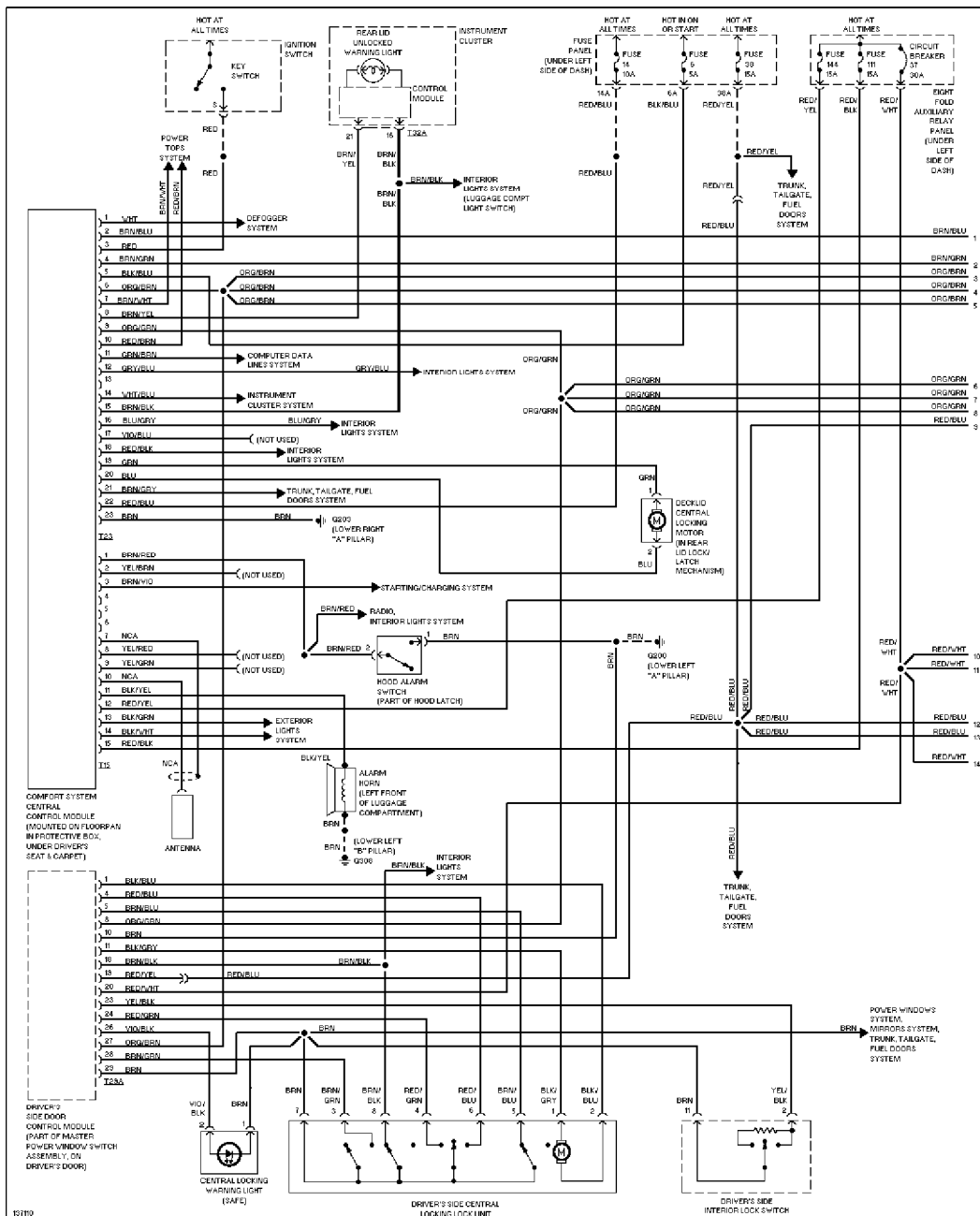






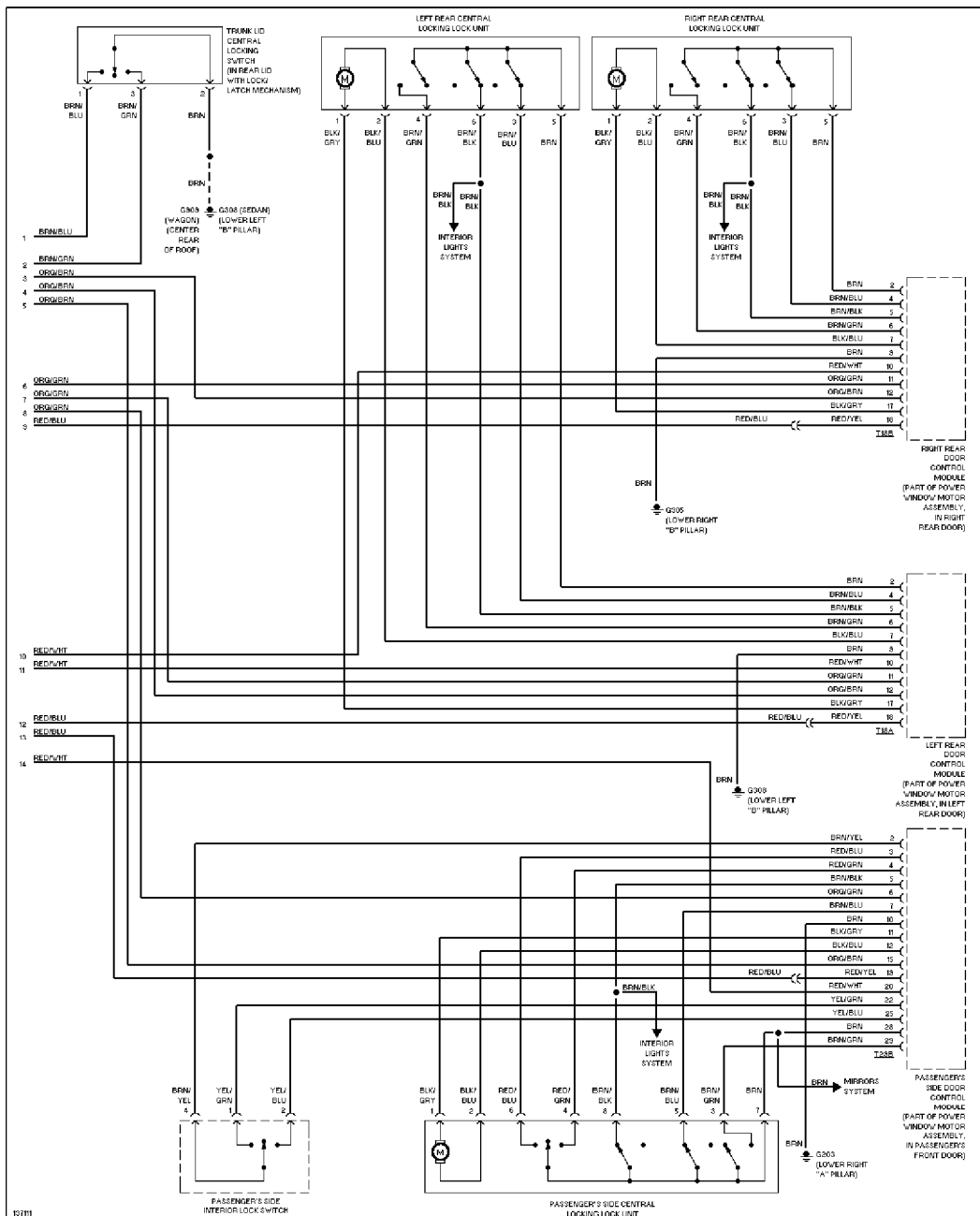
Power Distribution Circuit (4 of 4)

**POWER DOOR LOCKS**



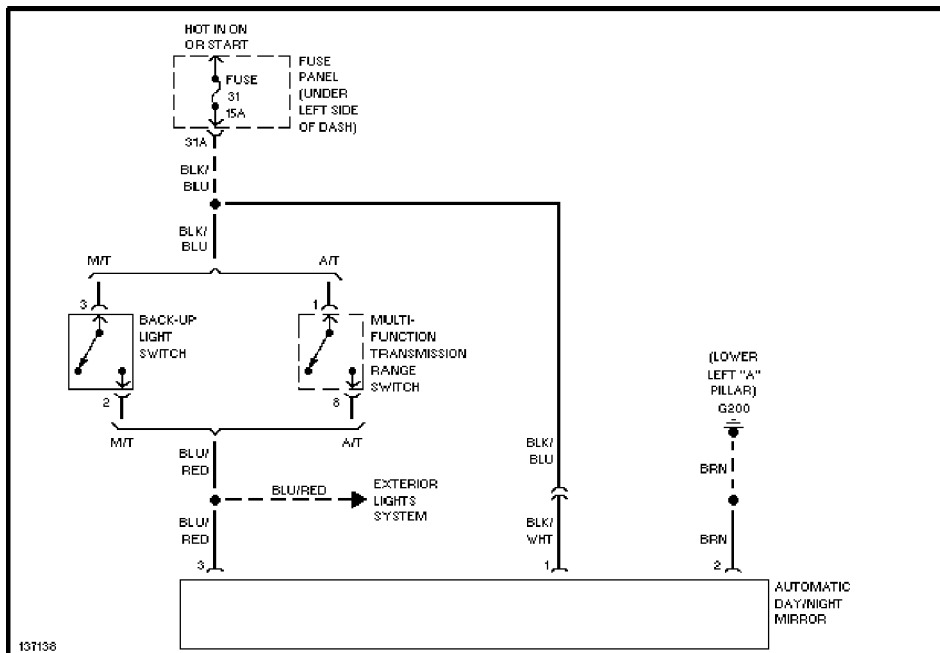
Power Door Lock Circuit (1 of 2)



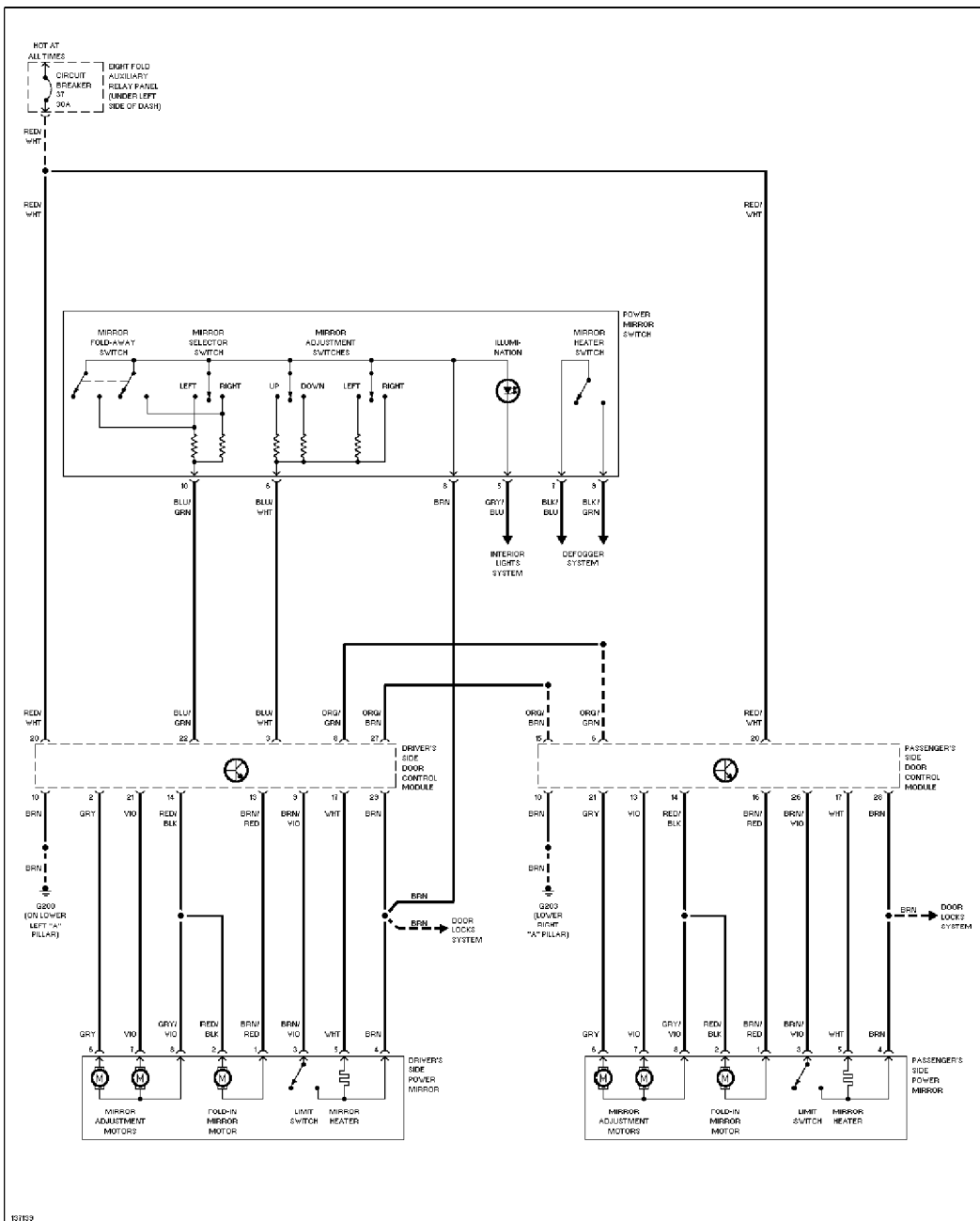


Power Door Lock Circuit (2 of 2)

## POWER MIRRORS

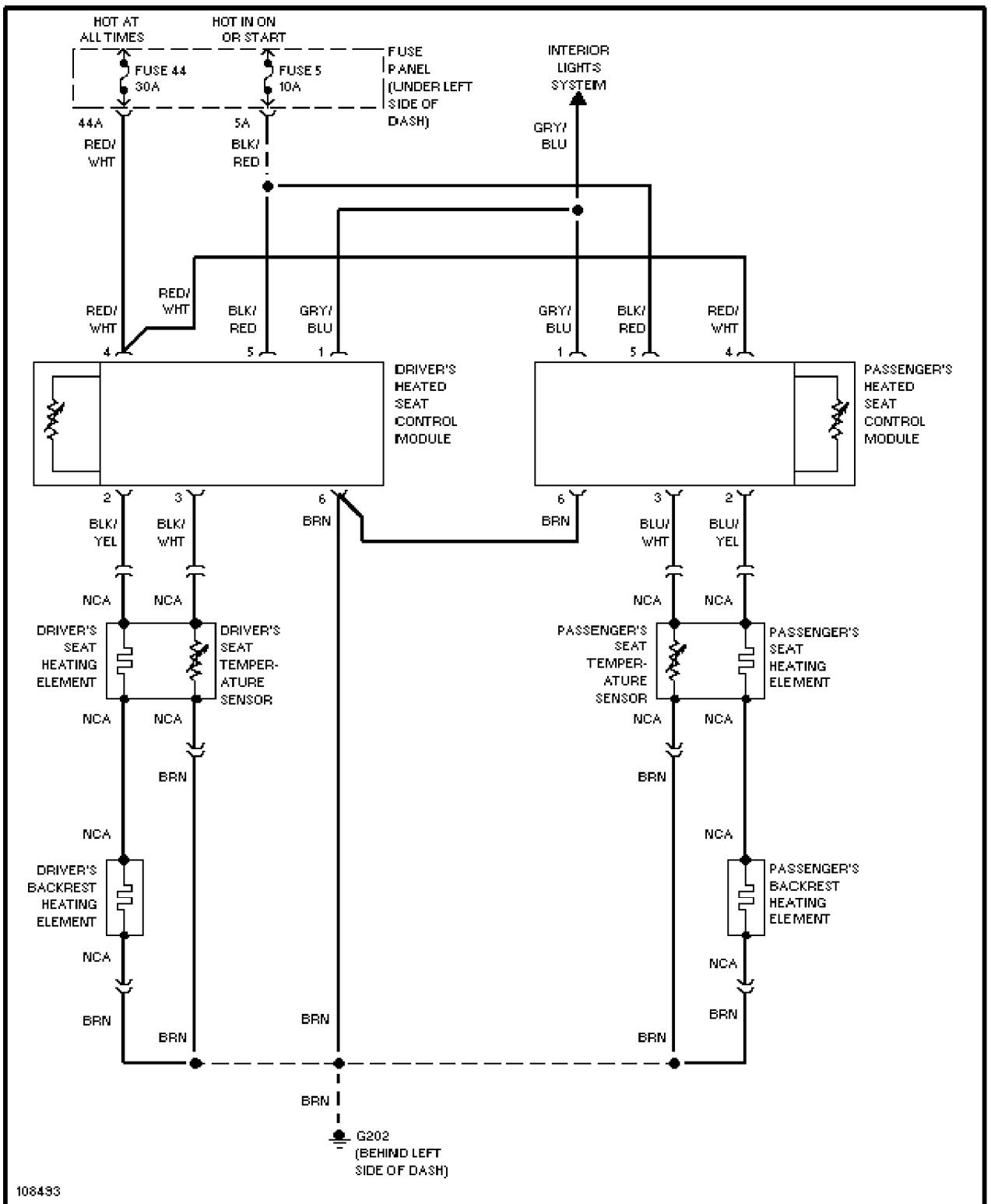


Automatic Day/Night Mirror Circuit

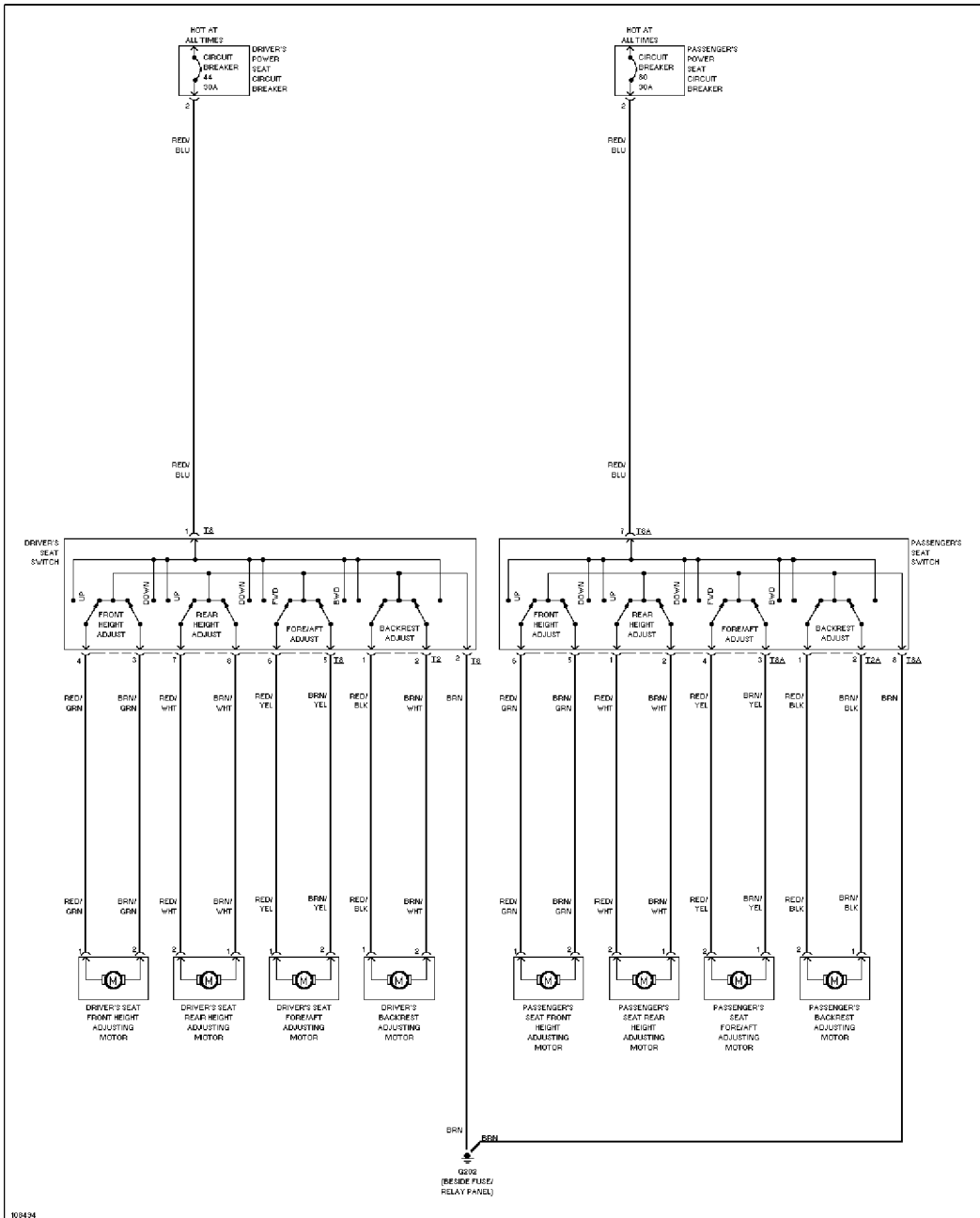


Power Mirrors Circuit

**POWER SEATS**

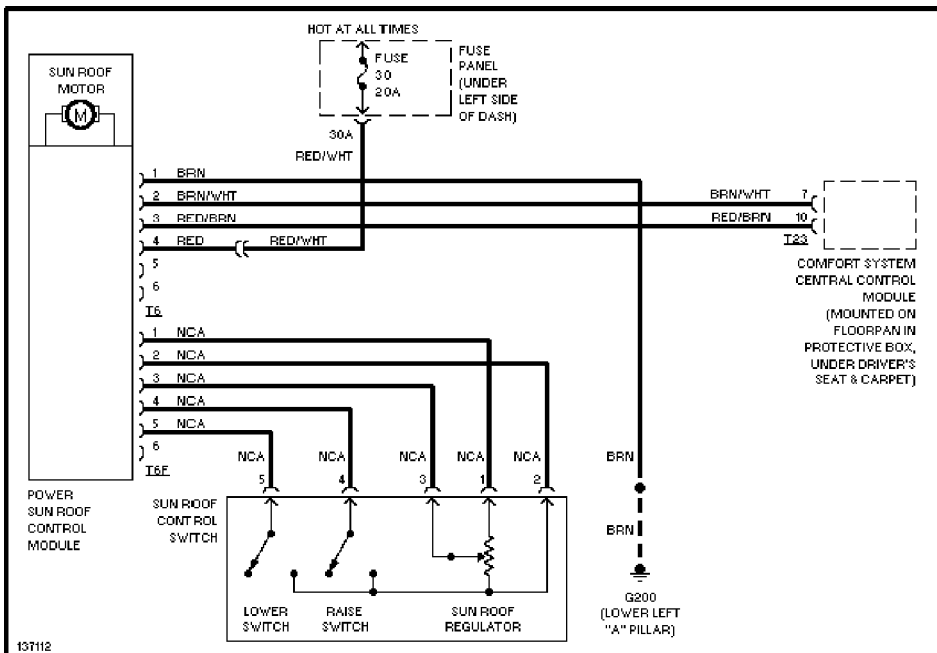


Heated Seats Circuit



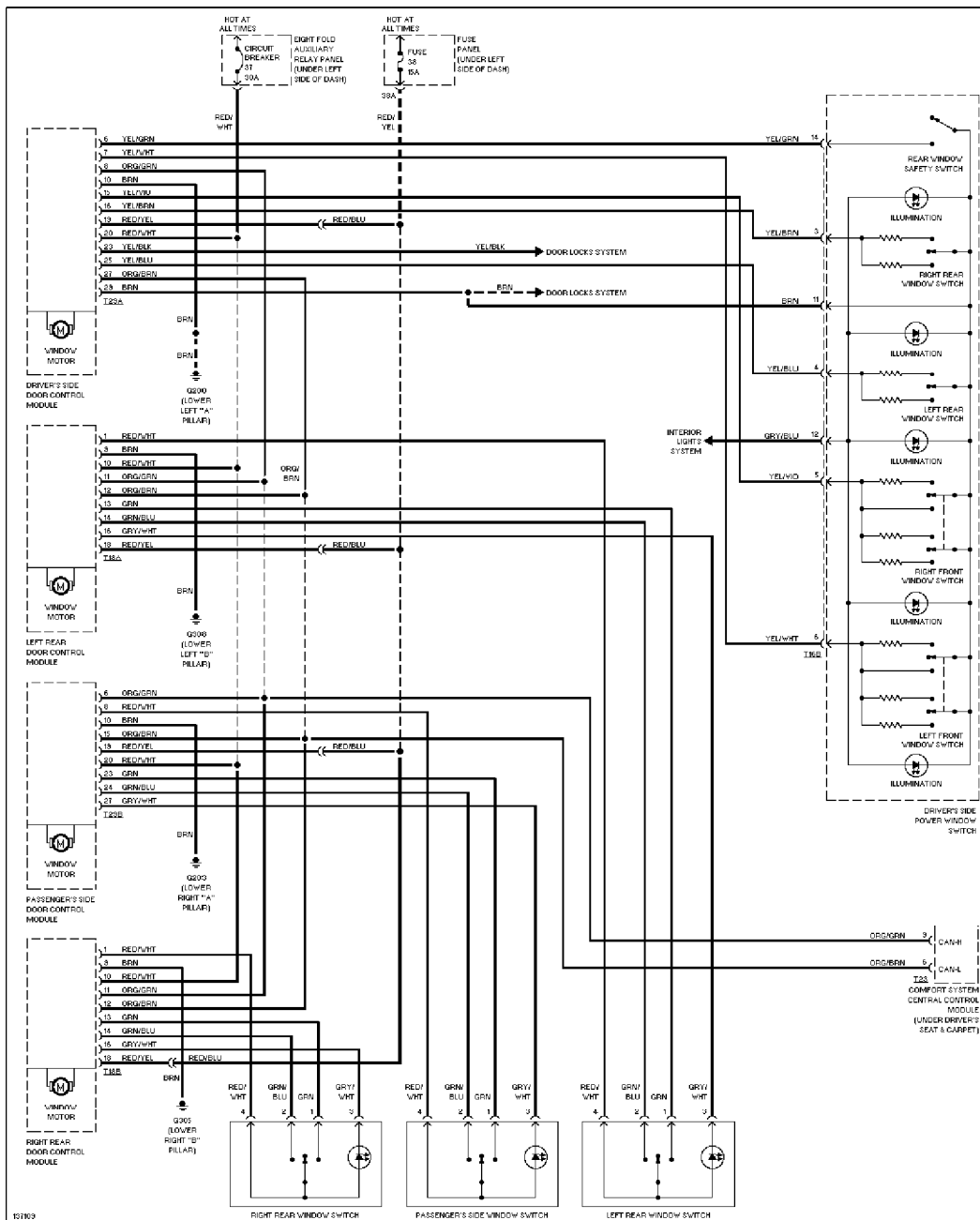
Power Seats Circuit

POWER TOP/SUNROOF



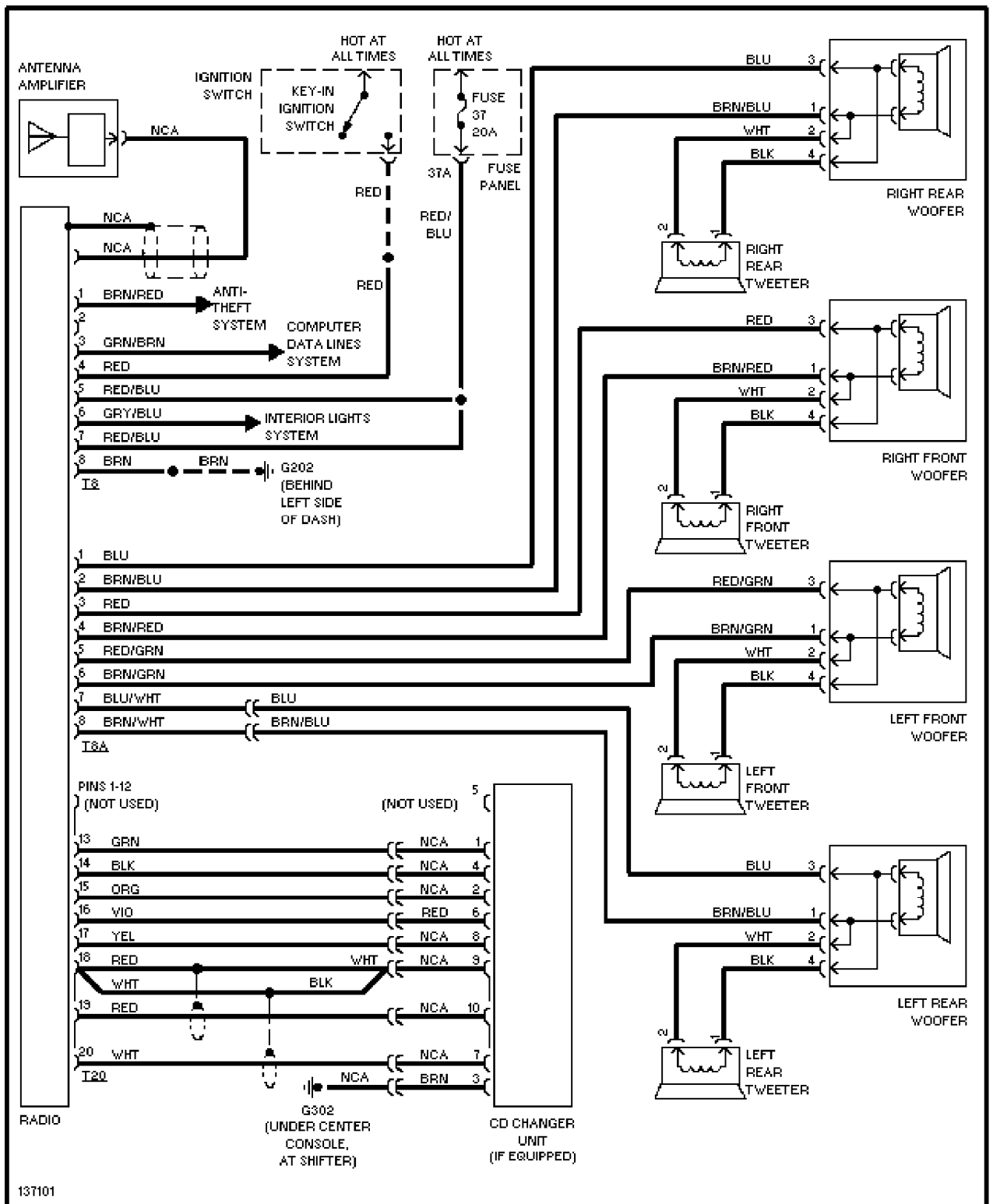
Sunroof Circuit

# POWER WINDOWS

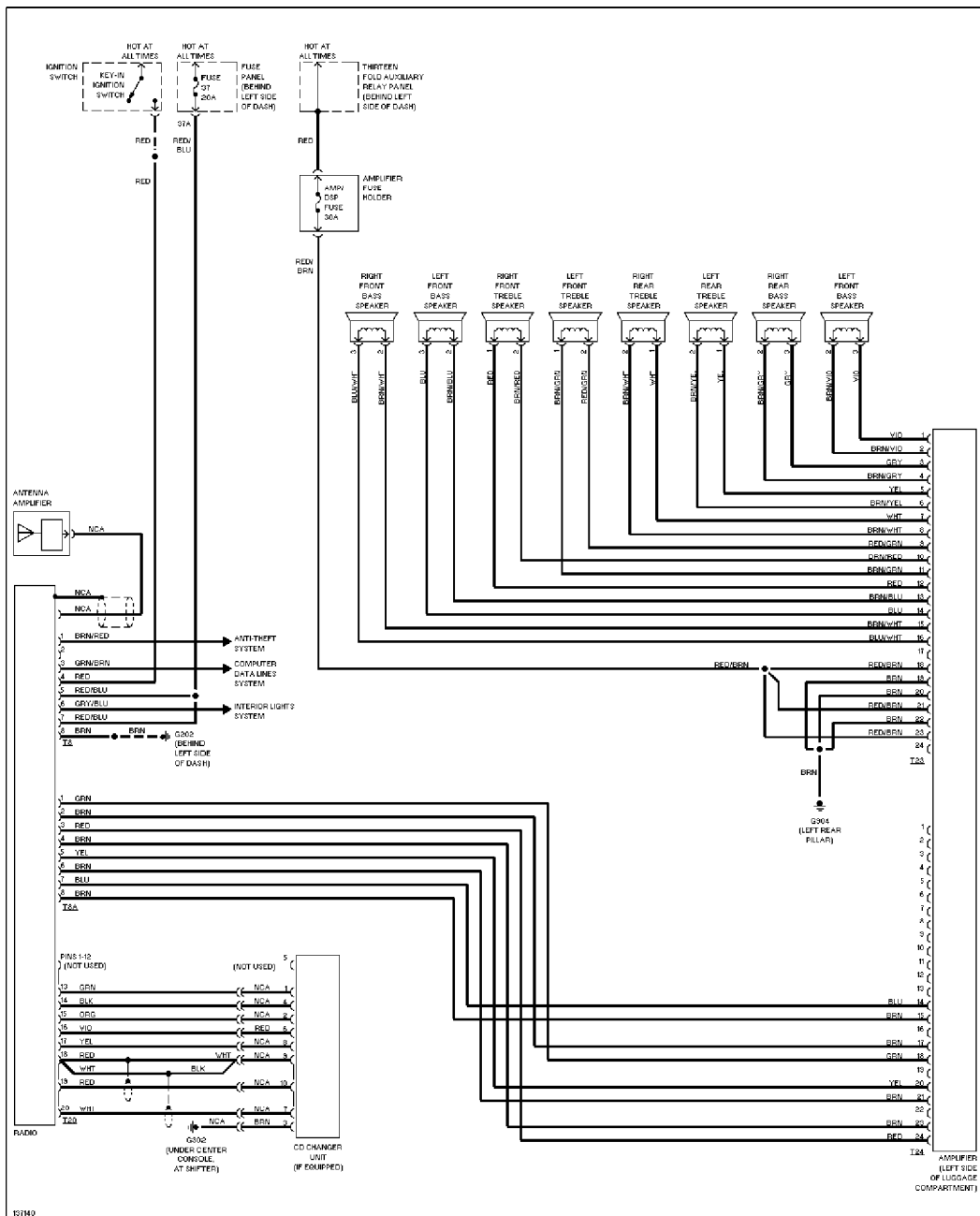


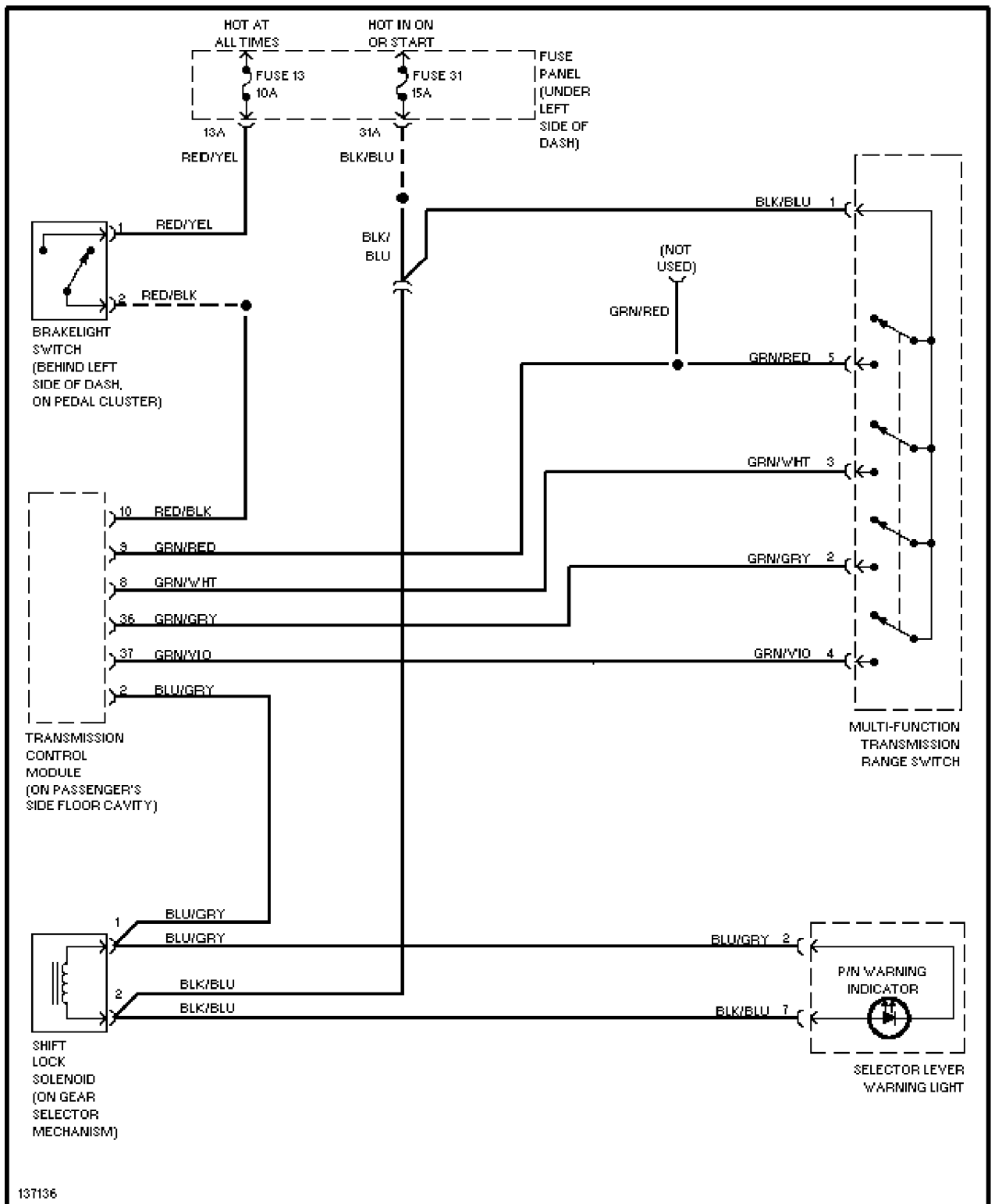
Power Window Circuit

# RADIO



Base Radio, W/O Monsoon Radio

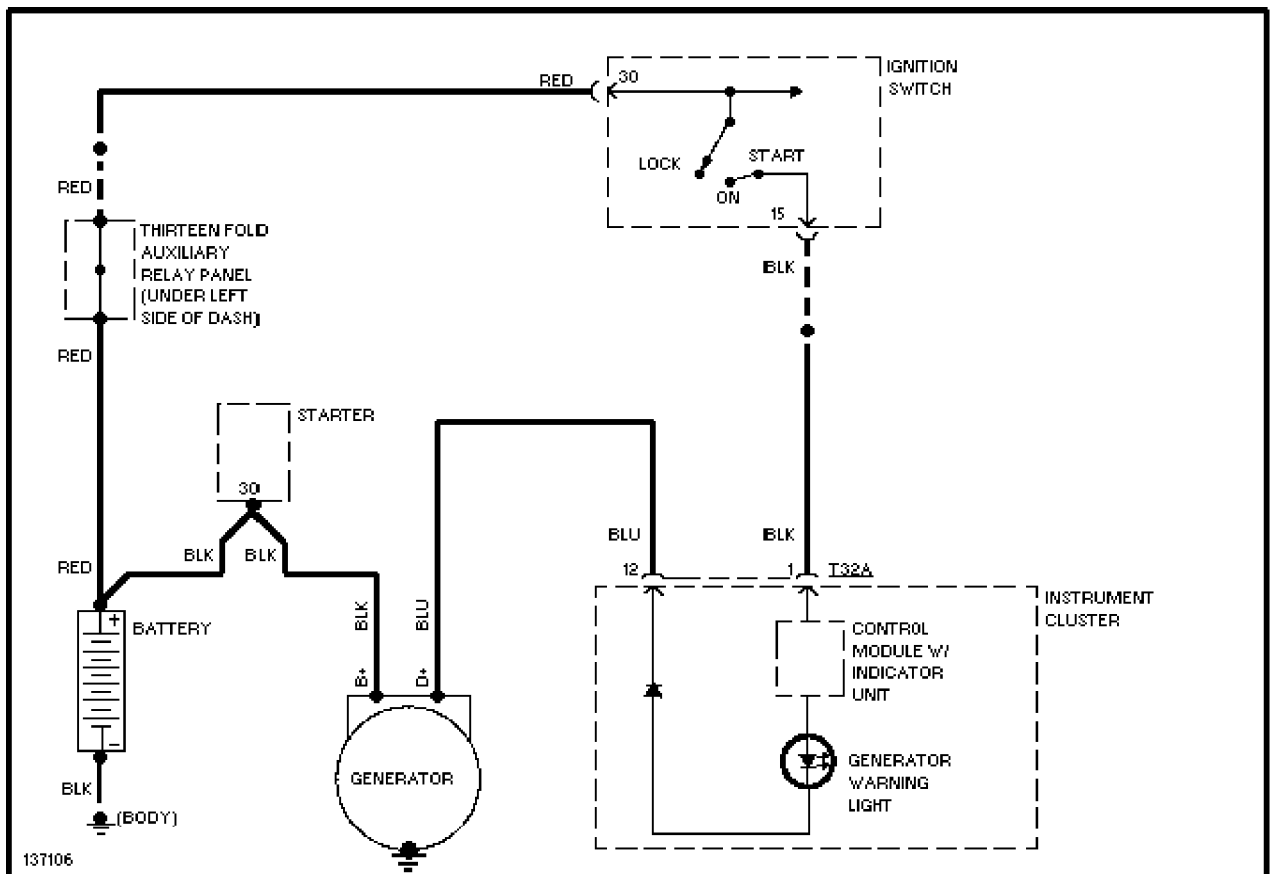




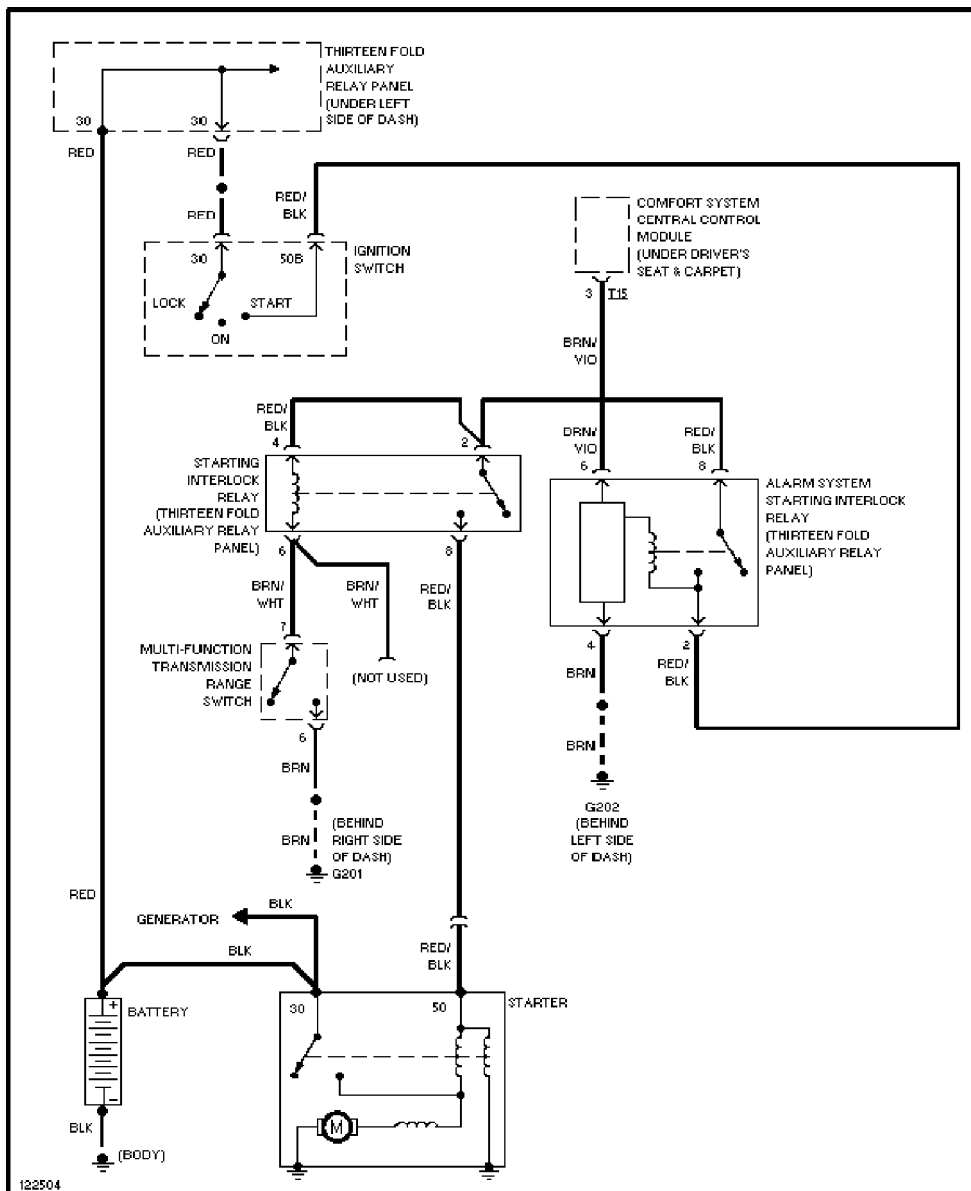
Shift Interlock Circuit

**STARTING/CHARGING**

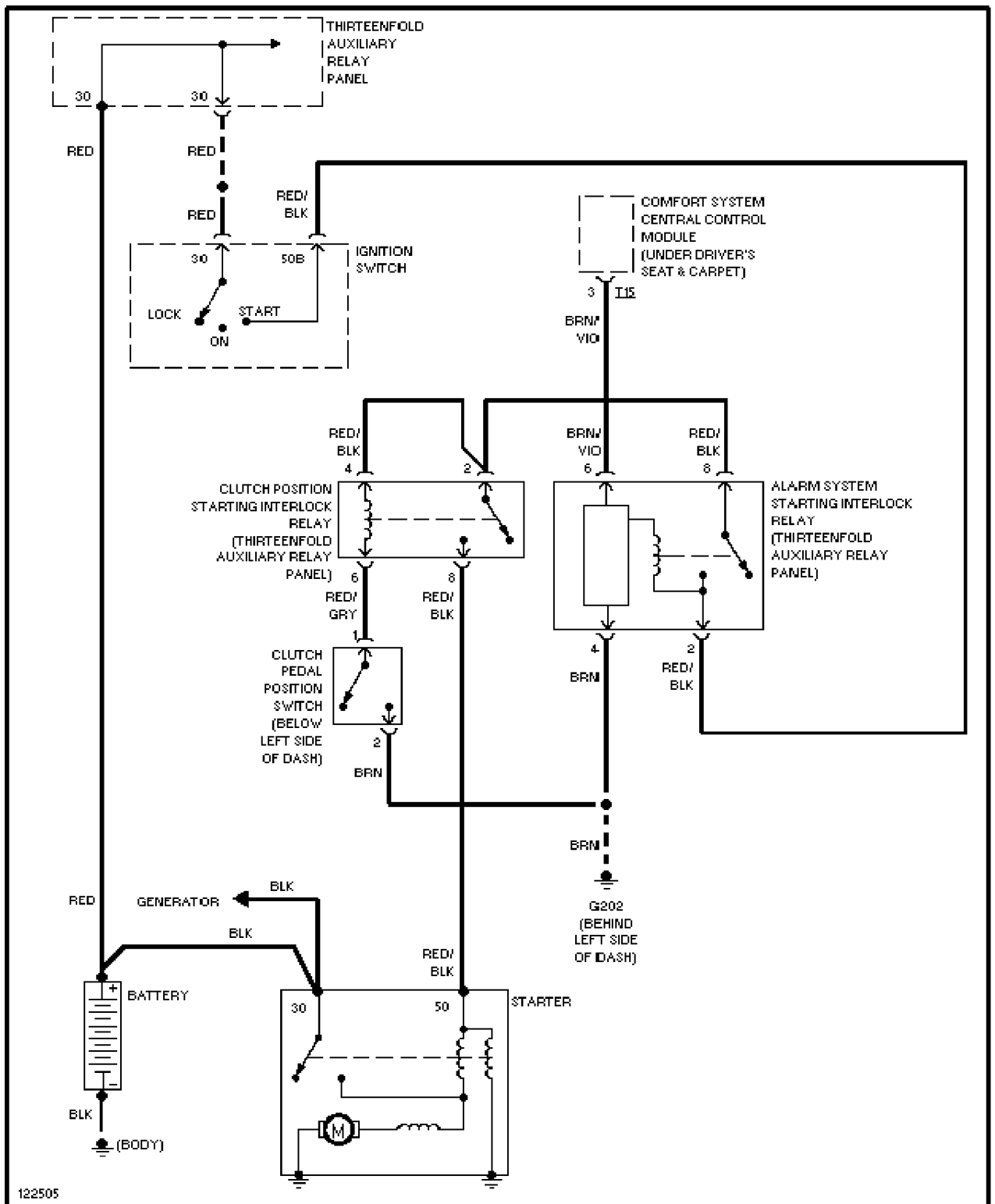




Charging Circuit

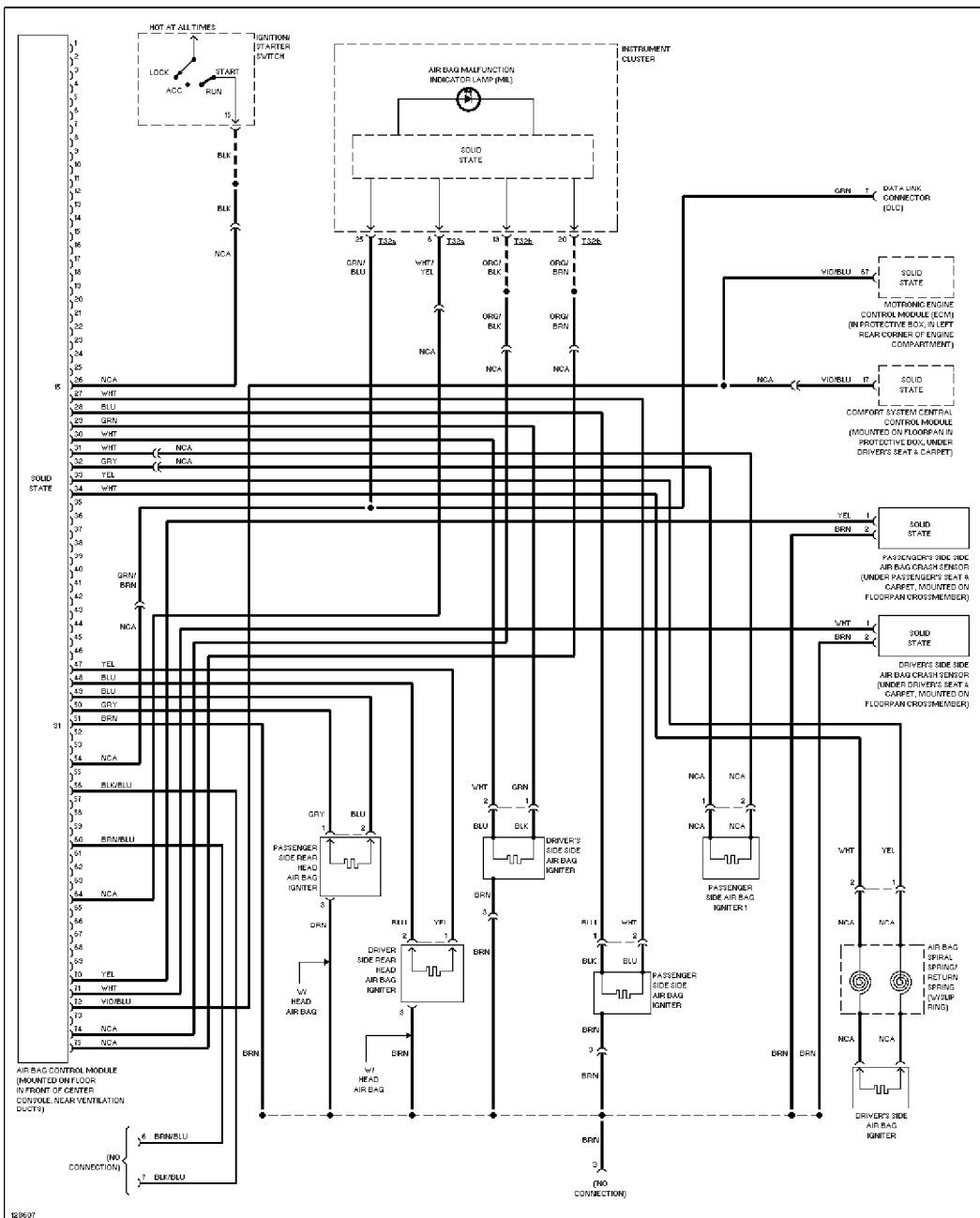


Starting Circuit, A/T



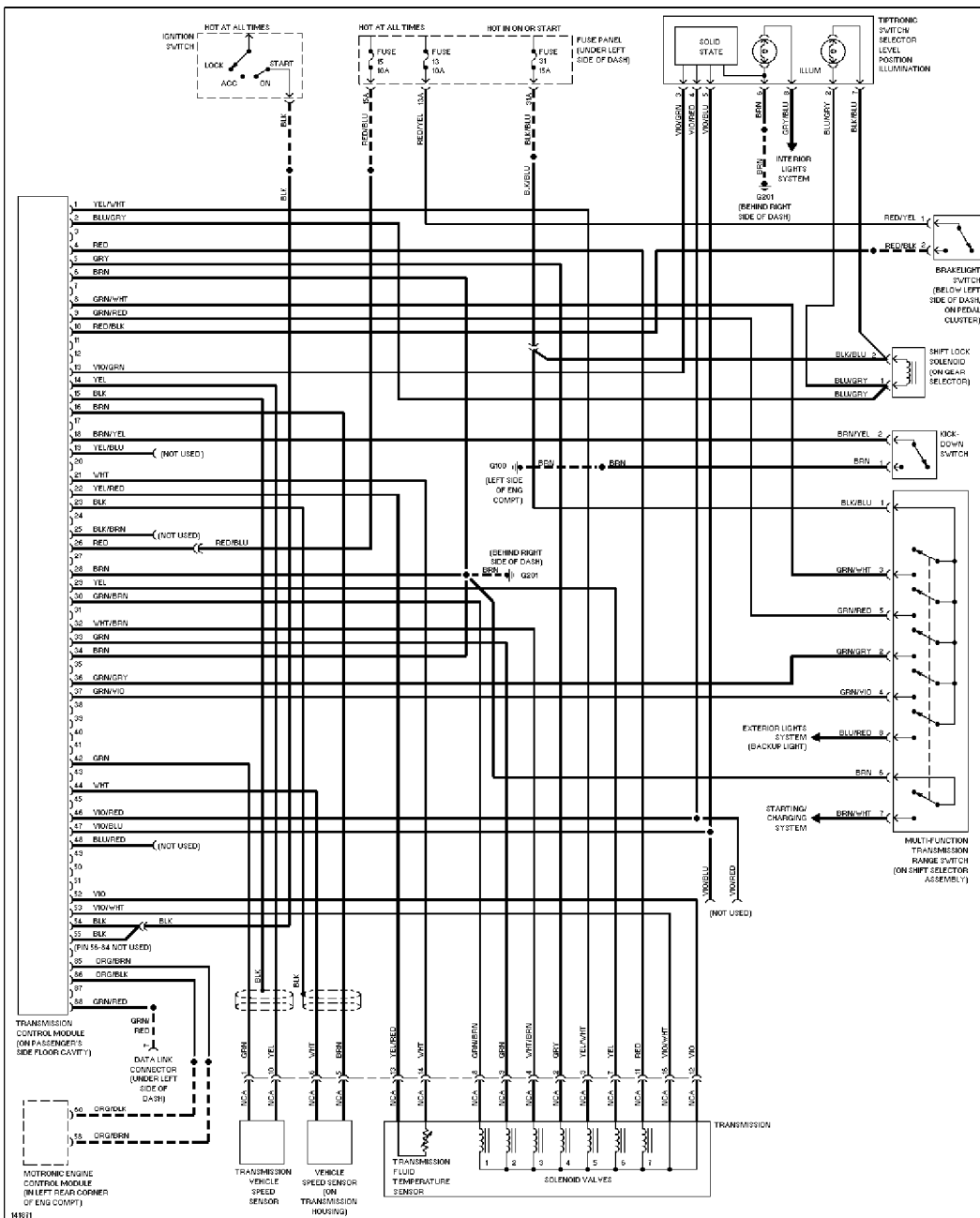
Starting Circuit, M/T

**SUPPLEMENTAL RESTRAINTS**



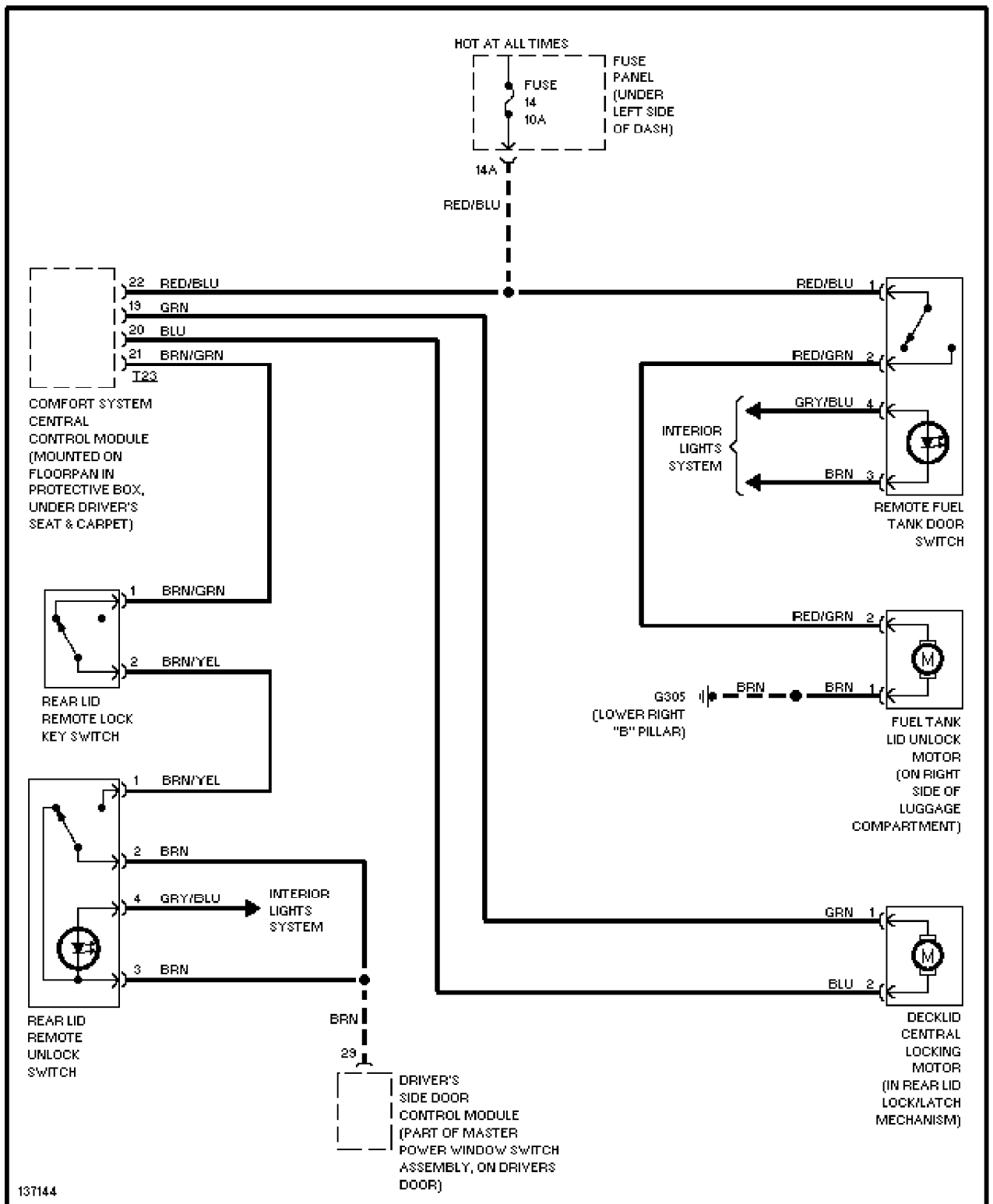
Supplemental Restraint Circuit

TRANSMISSION

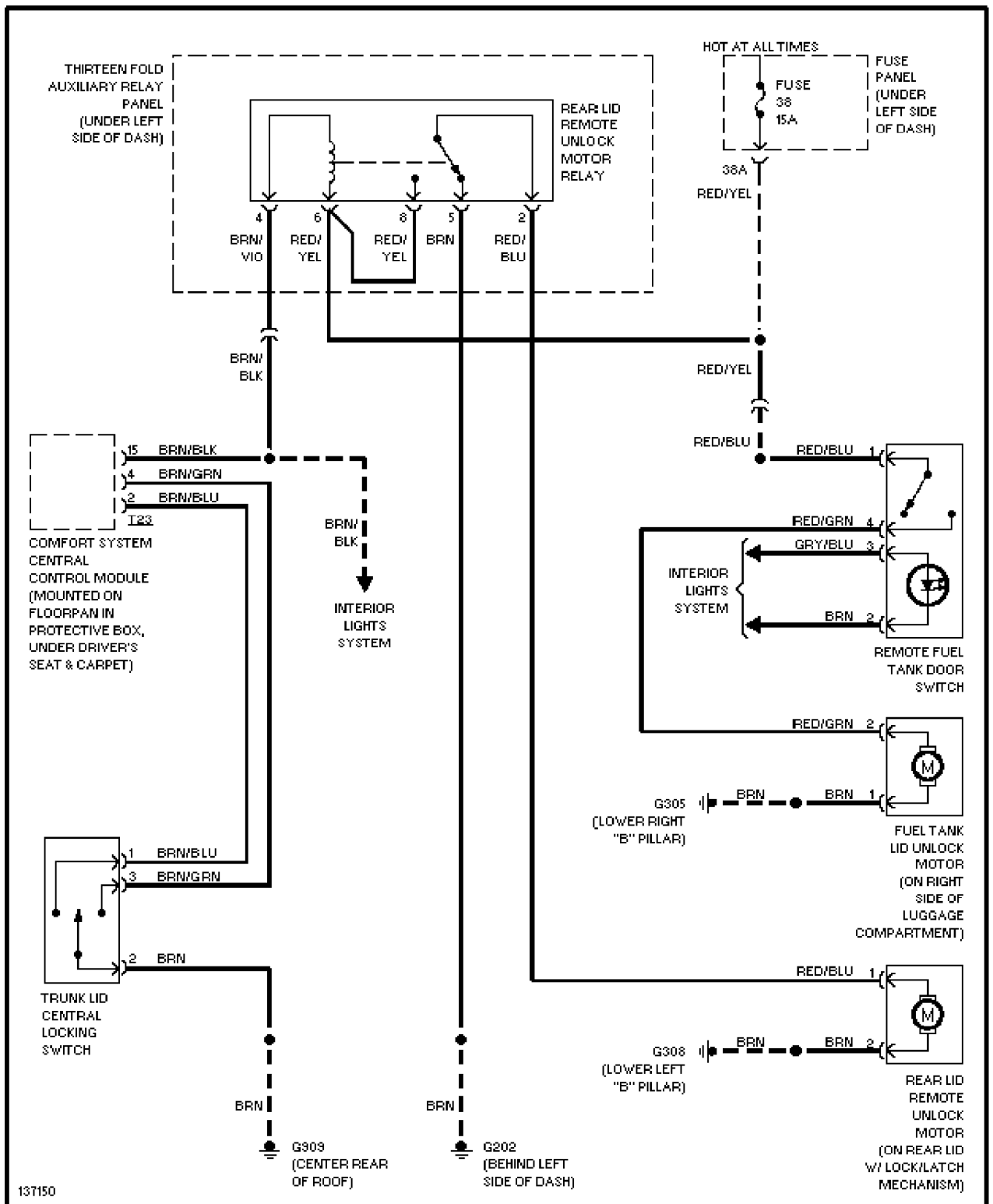


**A/T Circuit**

**TRUNK, TAILGATE, FUEL DOOR**

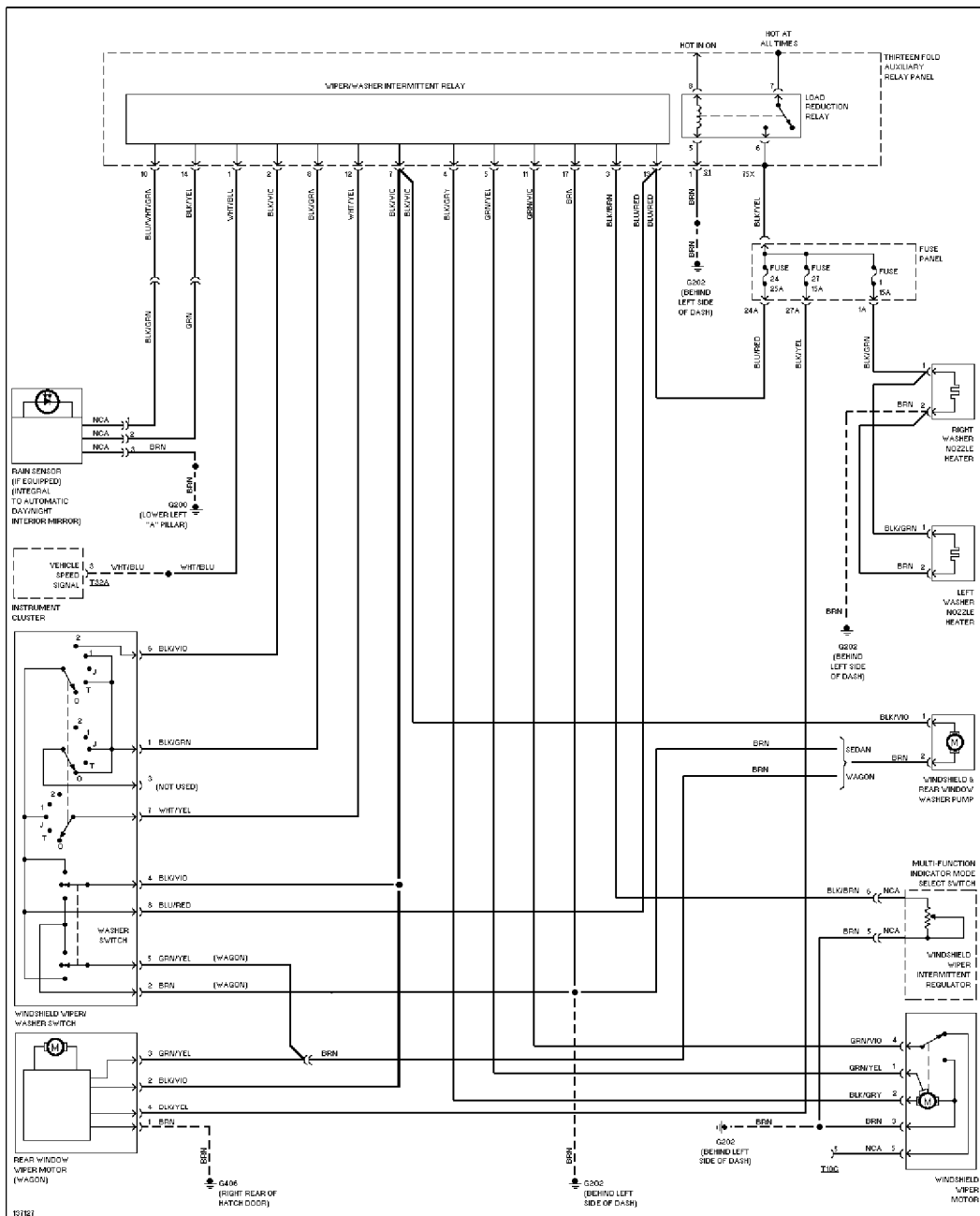


Trunk & Fuel Door Release Circuit, Sedan



Trunk & Fuel Door Release Circuit, Wagon

WIPER/WASHER



Wiper/Washer Circuit

END OF ARTICLE